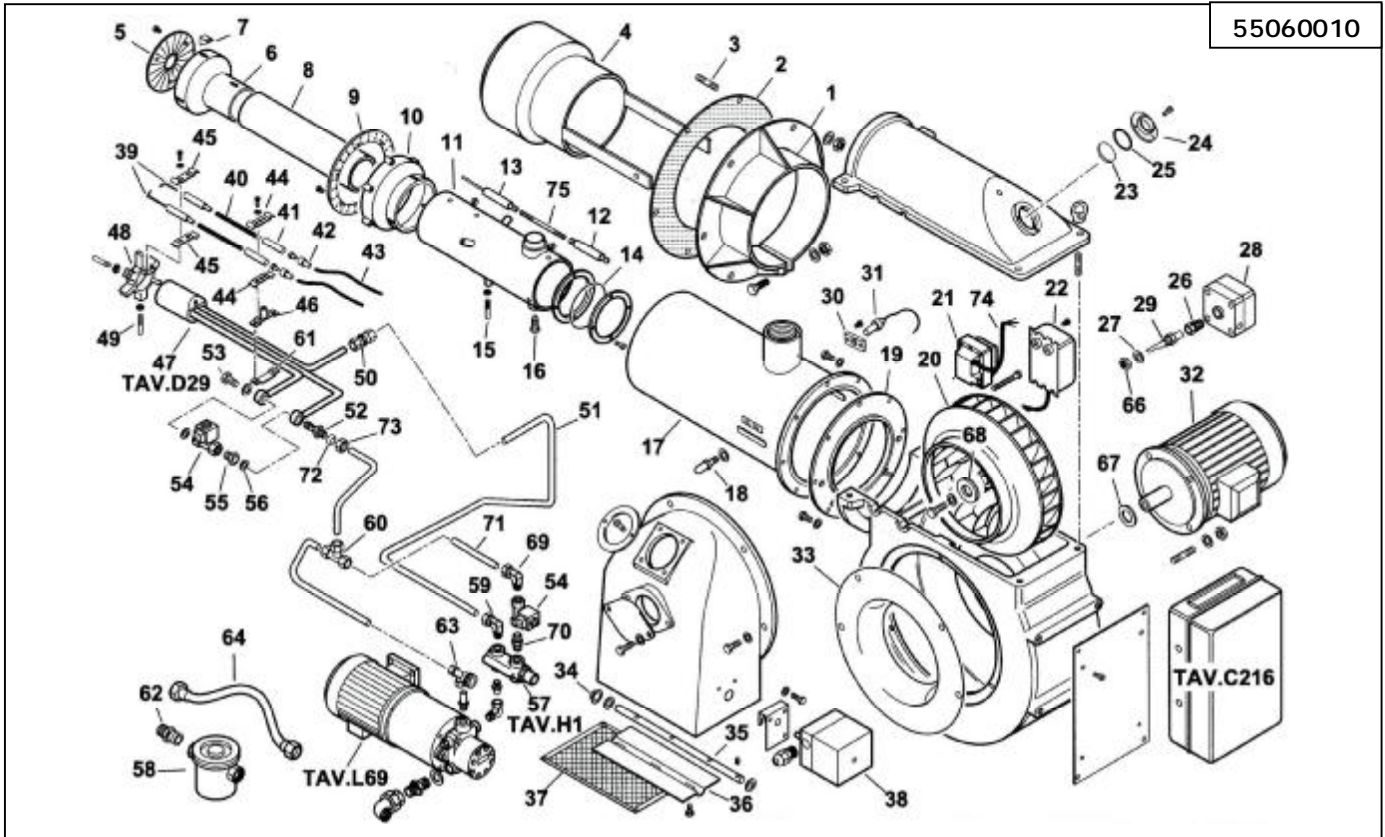


BDC 180 – 2 Stage

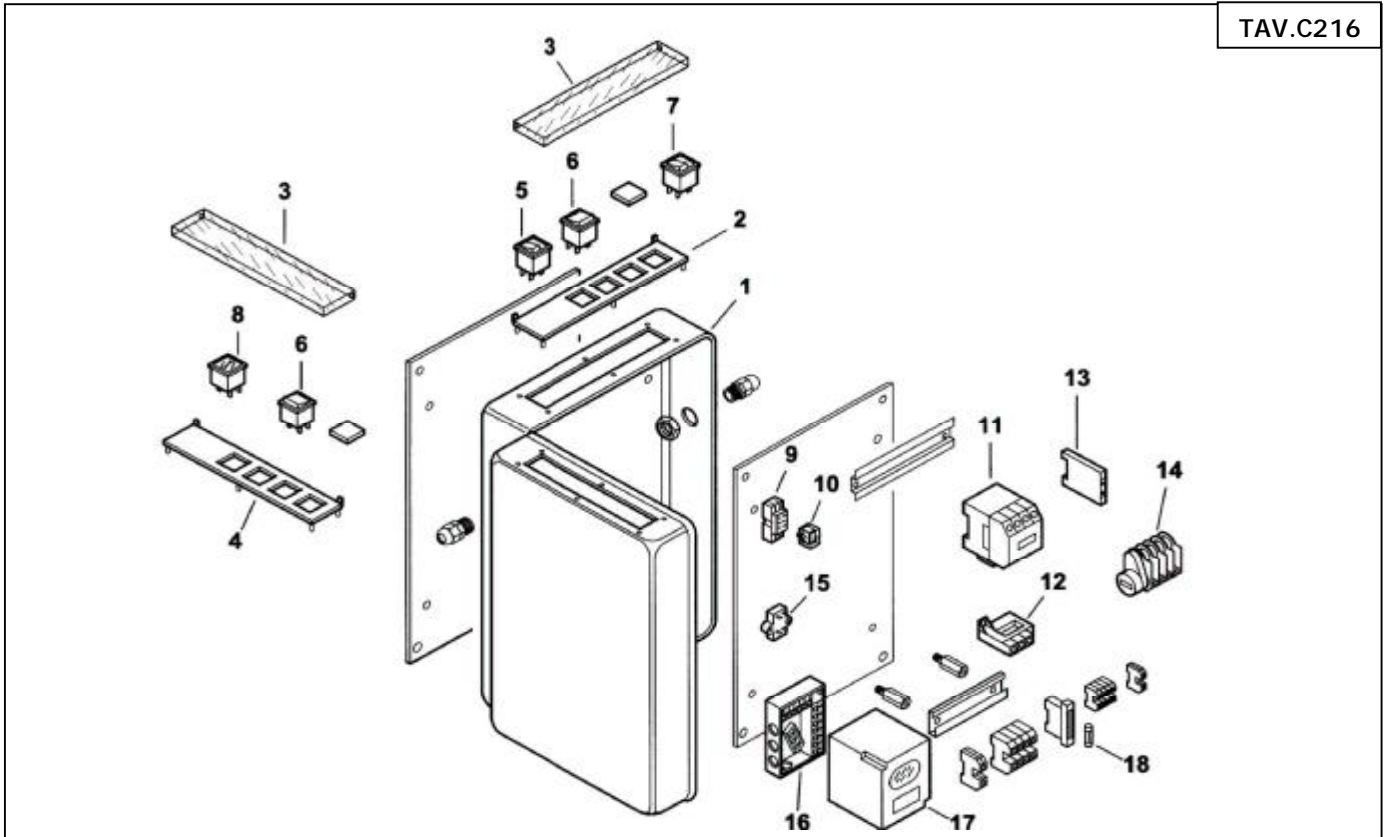
55060010



Key	Part No	Description	Key	Part No	Description	Key	Part No	Description
1	B07-37027	Flange	29	B07-0010060020	Air Tube	57	B07-16230	Regulating Valve
2	B07-37028	Flange Gasket	30	B07-30895	Photocell Flange	58	B07-5460	Filter
3	B07-17888	Studs	31	B07-30837	Photocell	59	B07-23079	Elbow
4	B07-39114	End Cone	32	B07-23121	Motor	60	B07-31422	T Connector
5	B07-39073	Oil Brakeplate	33	B07-15842	Air Inlet Guide	61	B07-56055	Support
6	B07-39071	Oil Head	34	B07-54056	Bush	62	B07-19315	Nipple
7	B07-39072	Bracket	35	B07-56091	Air Damper Pin	63	B07-41544	T Connector
8	B07-39119	Air Tube	36	B07-56081	Air Inlet Flap	64	B07-19314	Flexible Oil Line
9	B07-39064	Gas Brakeplate	37	B07-37927	Air Inlet Guard	66	B07-35623	Nut
10	B07-36069	Gas Head	38	B07-31380	Air Damper Motor	67	B07-35687	Spacer
11	B07-39187	Gas Pipe	39	B07-41617	Electrodes	68	B07-28909	Spacer
12	B07-19423	Gas Electrode	40	B07-45072	Extension	69	B07-23637	Elbow
13	B07-19422	Gas Electrode	41	B07-19424	Insulator	70	B07-18858	Nipple
14	B07-31337	O-Ring	42	B07-0005060037	Ignition Cable Cap	71	B07-39200	Oil Tube
15	B07-39022	Screw	43	B07-30223	HT Cable	72	B07-23823	Olive
16	B07-37026	Screw	44	B07-39107	Bracket	73	B07-23830	Nut
17	B07-39185	Burner Tube	45	B07-34459	Bracket	74	B07-0005130136	Transformer Lead
18	B07-18476	Screw	46	B07-56054	Support	75	B07-39205	Extension
19	B07-39001	Flange	47	B07-39150	Nozzle Line Assy			
20	B07-15855	Fan	48	B07-39074	Support			
21	B07-0005020030	Gas Transformer	49	B07-39112	Screw			
22	B07-15994	Oil Transformer	50	B07-23087	Connector			
23	B07-4145	Sight Glass	51	B07-39199	Oil Tube			
24	B07-4143	Sight Glass Holder	52	B07-39127	Nipple			
25	B07-4146	O-Ring	53	B07-3787	Banjo Nut			
26	B07-31053	Nipple for Airtake	54	B07-30912	Solenoid Valve			
27	B07-4987	Washer	55	B07-17672	Spacer			
28	B07-30245	Pressure Switch	56	B07-4987	Washer			
							TAV.C216	Control Panel
							TAV.D29	Nozzle Line
							TAV.L69	Pump
							TAV.H1	Valve Assy

Control Panel – BDC 180 – 2 Stage

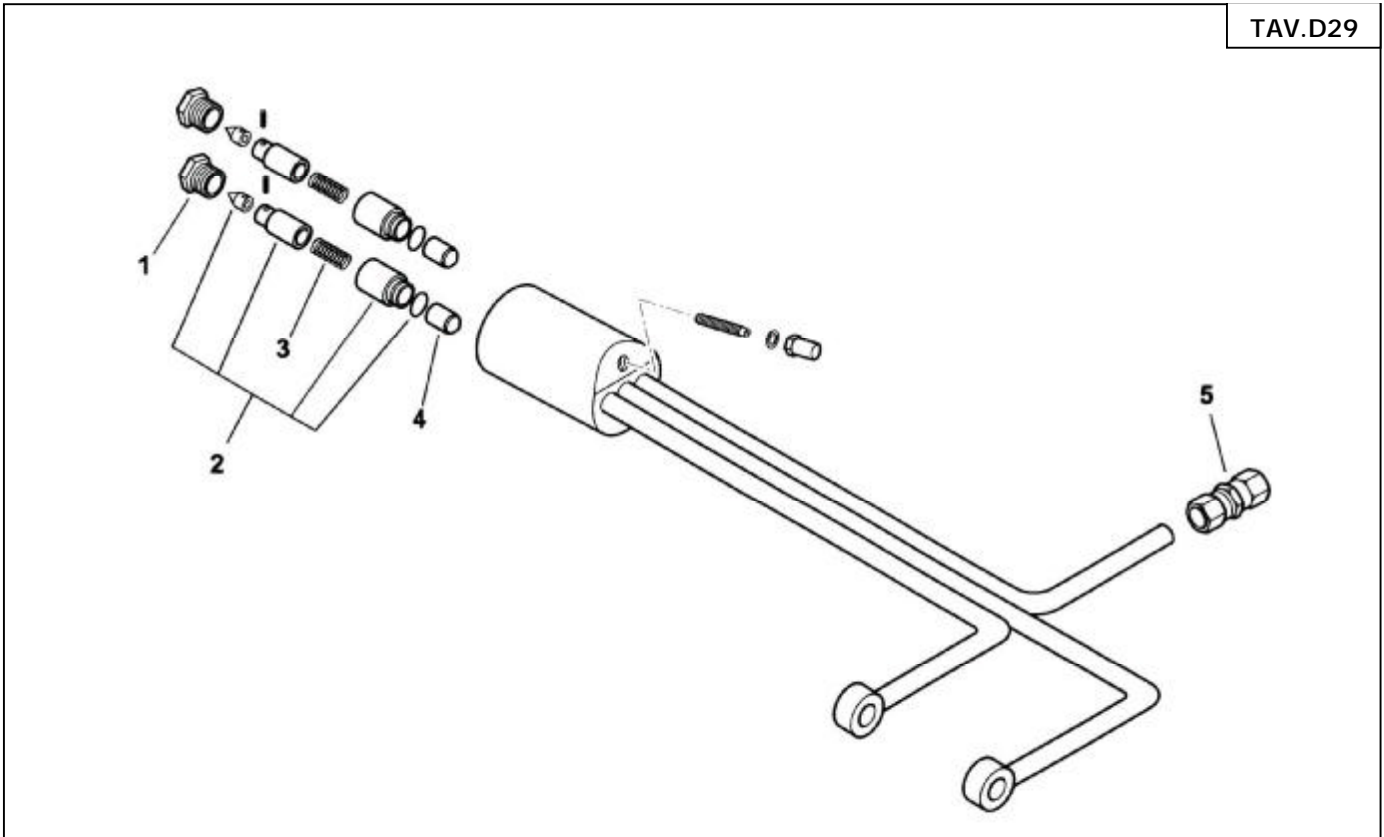
TAV.C216



Key	Part No	Description	Key	Part No	Description
1	B07-60089	Box			
2	B07-0006060006	Switch Panel			
3	B07-61228	Cover			
4	B07-0006060005	Switch Panle			
5	B07-0005120039	On/Off Switch			
6	B07-0005120041	Fuel Selector Switch			
7	B07-0005120040	Lock Out Light			
8	B07-0005120058	Fuel Indicator			
9	B07-0005110006	Relay Base			
10	B0-30677	Relay			
11	B07-0005110051	Contactor			
	B07-0005110079	Contactor			
12	B07-0005110067	Overload			
	B07-0005110070	Overload			
			13	B07-0005110078	Auxiliary Contactor
				B07-0005110080	Auxiliary Contactor
			14	B07-23005	Motor
			15	B07-0005020034	Filter
			16	B07-23525	Wiring Base
			17	B07-0005030071	Control Box
			18	B07-7456	Fuse

BDC 180 – Nozzle Line Assembly

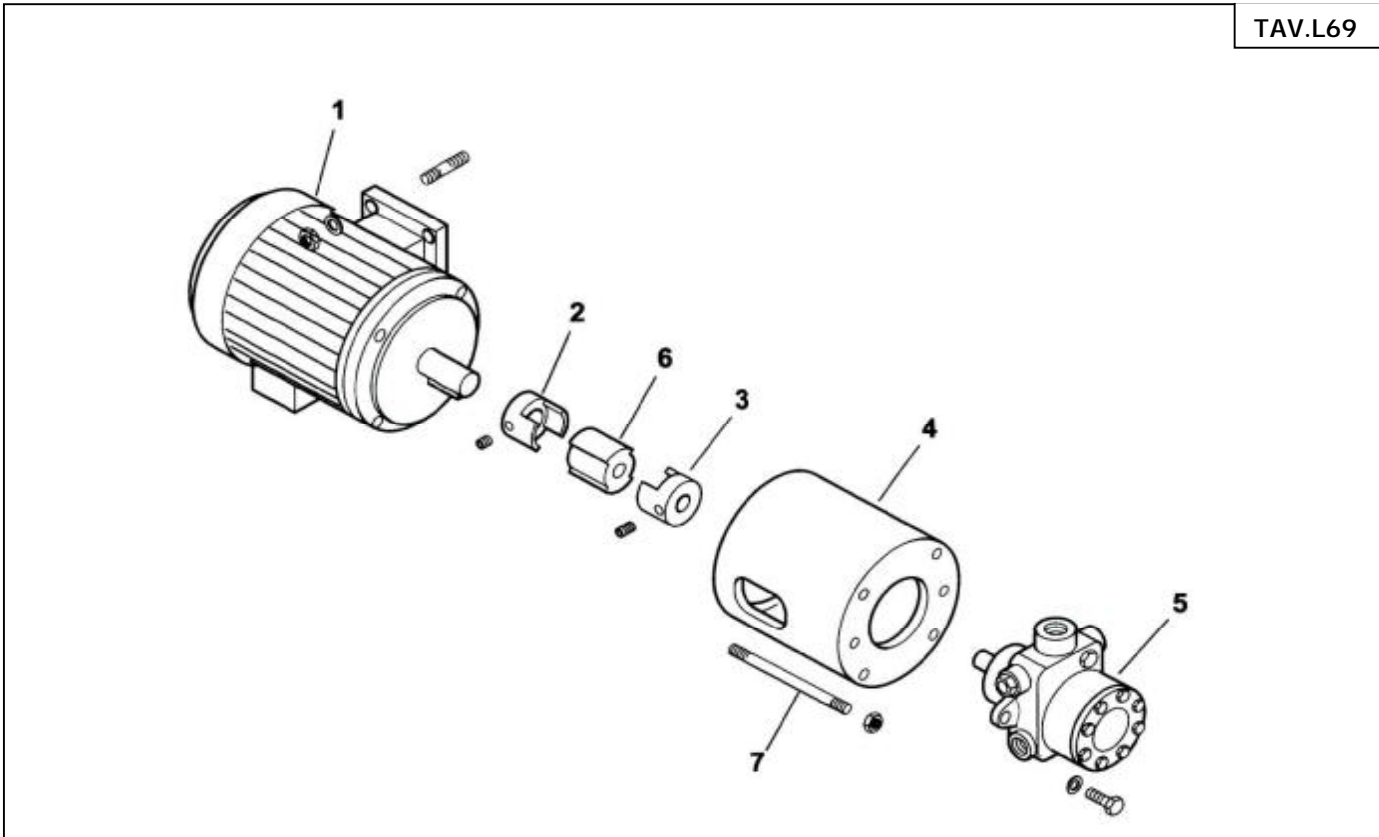
TAV.D29



Key	Part No	Description	Key	Part No	Description
1	B07-18095	Bush	5	B07-23087	Connector
2	B07-95263	Piston Assembly			
3	B07-18093	Spring			
4	B07-18098	Piston Control			

BDC 180 – Pump

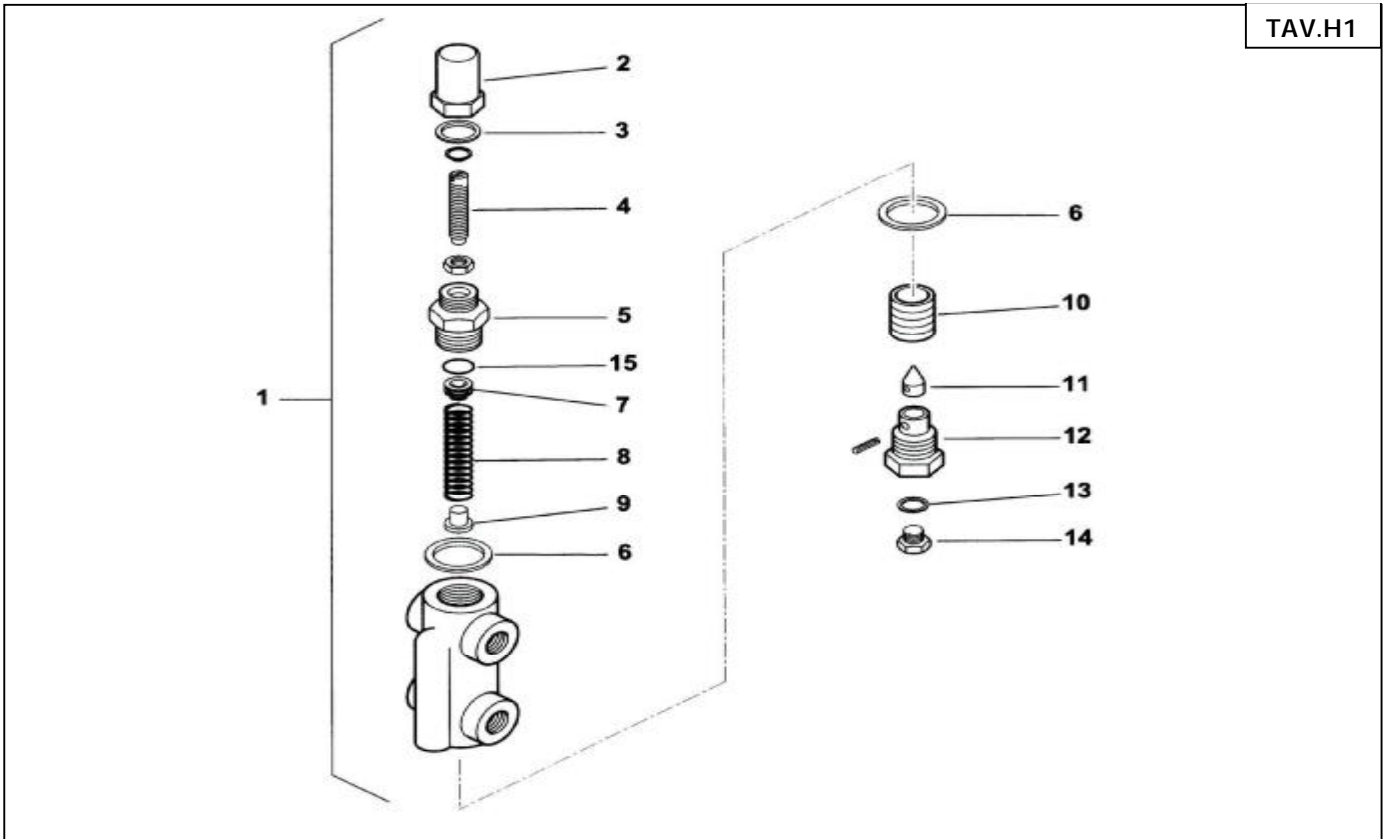
TAV.L69



Key	Part No	Description	Key	Part No	Description
1	B07-30358	Motor	6	B07-60039	Coupling Connector
2	B07-56037	Coupling	7	B07-33092	Fixing Bolt
3	B07-5941	Coupling			
4	B07-33091	Housing			
5	B07-23353	Pump			
	B07-95060	Filter			
	B07-95205	Seal			

BDC 180 – Regulating Valve

TAV.H1



Key	Part No	Description	Key	Part No	Description
1	B07-16230	Valve Assembly	15	B07-23803	O-Ring
2	B07-16234	Cap			
3	B07-30425	Washer			
4	B07-16233	Regulating Screw			
5	B07-16372	Nipple			
6	B07-18257	Washer			
7	B07-16373	Spring Cap			
8	B07-3479	Spring			
9	B07-4718	Spring End			
10	B07-4717	Piston			
11	B07-18245	Pin			
12	B07-3267	Bush			
13	B07-4987	Washer			
14	B07-15112	Plug			