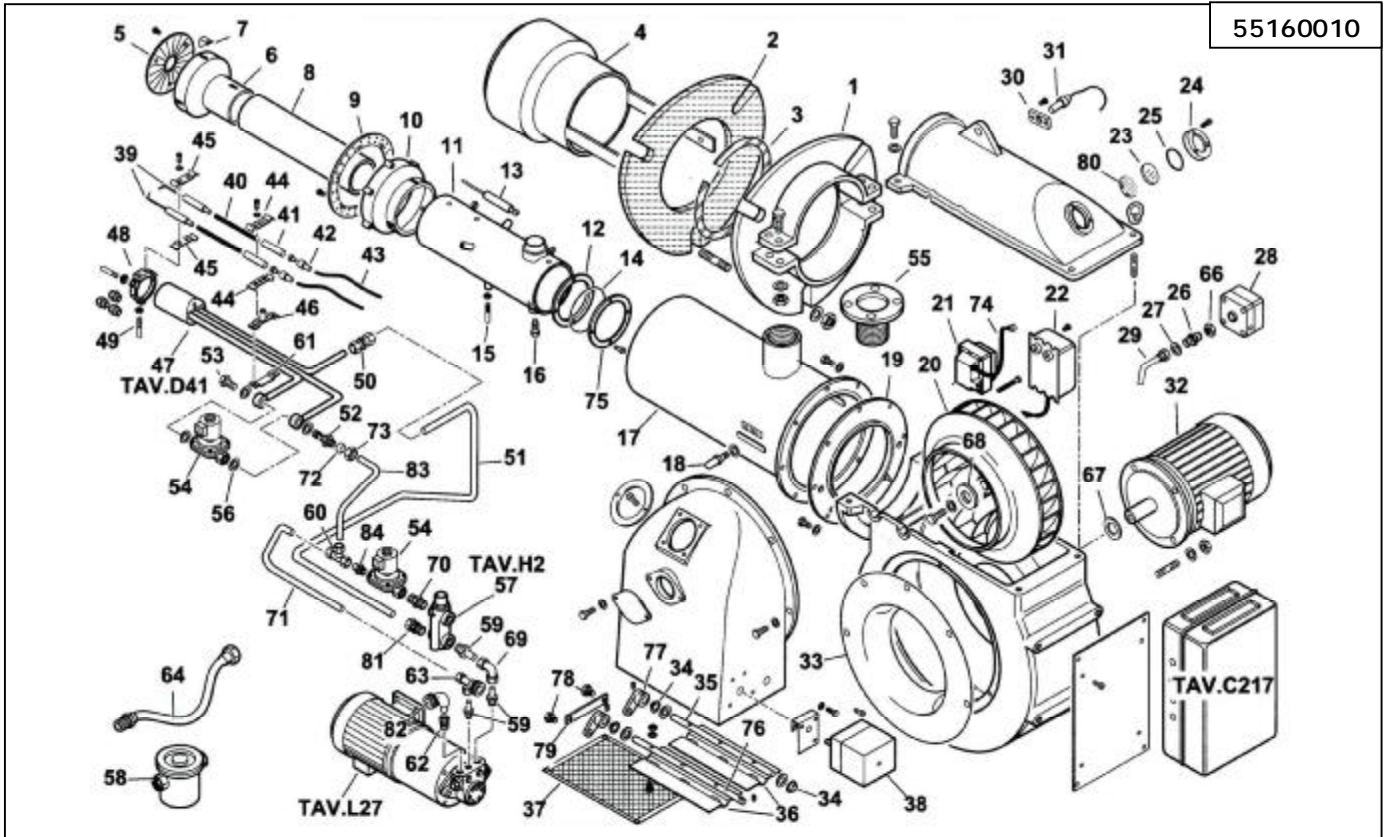


# BDC 300 – 2 Stage

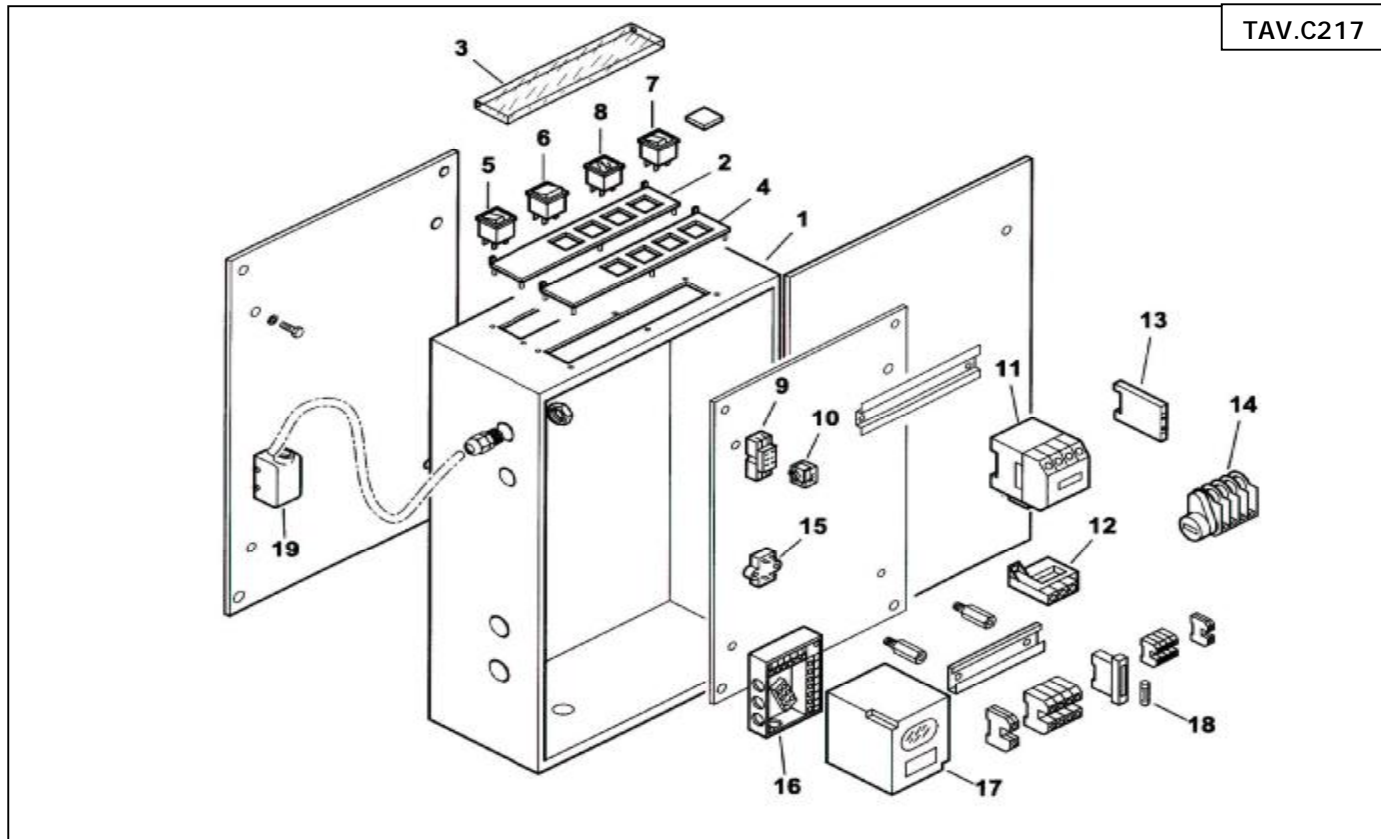
55160010



Key	Part No	Description	Key	Part No	Description	Key	Part No	Description
1	B07-0006020159	Flange	32	B07-30104	Motor	61	B07-56055	Support
2	B07-17791	Flange Gasket	33	B07-13028	Air Inlet Guide	62	B07-23077	Connector
3	B07-23215	Cord Seal	34	B07-34314	Bush	63	B07-27663	T Connector
4	B07-33756	End Cone	35	B07-57033	Air Damper Pin	64	B07-0005070456	Flexible Oil Line
5	B07-33742	Oil Brakeplate	36	B07-57029	Air Inlet Flap	66	B07-35623	Nut
6	B07-33732	Oil Head	37	B07-0012010076	Air Inlet Guard	67	B07-29364	Spacer
7	B07-39072	Bracket	38	B07-31380	Air Damper Motor	68	B07-17887	Spacer
8	B07-33754	Air Tube	39	B07-41617	Electrodes	69	B07-23074	Elbow
9	B07-33731	Gas Brakeplate	40	B07-57160	Extension	70	B07-18858	Nipple
10	B07-33726	Gas Head	41	B07-19424	Insulator	71	B07-62502	Oil Tube
11	B07-62530	Gas Pipe	42	B07-0005060037	Ignition Cable Cap	72	B07-23825	Olive
12	B07-33669	Sealing Ring	43	B07-30223	HT Cable	73	B07-23832	Nut
13	B07-33758	Electrode	44	B07-39107	Bracket	74	B07-0005130136	Transformer Lead
14	B07-31424	O-Ring	45	B07-34459	Bracket	75	B07-33700	Sealing Ring
15	B07-39022	Screw	46	B07-56054	Support	76	B07-57102	Air Damper Pin
16	B07-37026	Screw	47	B07-13271	Nozzle Line Assy	77	B07-35677	Lever
17	B07-62528	Burner Tube	48	B07-34910	Support	78	B07-35619	Lever Screw
18	B07-18476	Fixing Nut	49	B07-56039	Screw	79	B07-29498	Lever Bracket
19	B07-33531	Flange	50	B07-23083	Connector	80	B07-38610	Sight Glass
20	B07-29361	Fan	51	B07-62504	Oil Tube	81	B07-23407	Connector
21	B07-0005020030	Gas Transformer	52	B07-13374	Nipple	82	B07-27677	Elbow
22	B07-57024	Oil Transformer	53	B07-13010	Banjo Nut	83	B07-62503	Oil Tube
23	B07-39609	Clear Sight Glass	54	B07-5249	Solenoid Valve	84	B07-13373	Nipple
24	B07-38611	Sight Glass Holder	55	B07-57288	Screwed Flange			
25	B07-23299	O-Ring	56	B07-4987	Washer			
26	B07-28932	Nipple for Air-take	57	B07-16325	Regulating Valve			
27	B07-4987	Washer		B07-30875	Filter			
28	B07-30245	Pressure Switch	58	B07-95043	Cartridge		TAV.C217	Control Panel
29	B07-0015010113	Air Tube		B07-95100	Seal		TAV.D41	Nozzle Line
30	B07-30895	Photocell Flange	59	B07-57058	Nipple		TAV.L27	Pump
31	B07-30837	Photocell	60	B07-31423	T Connector		TAV.H2	Valve Assembly

# Control Panel – BDC 300 – 2 Stage

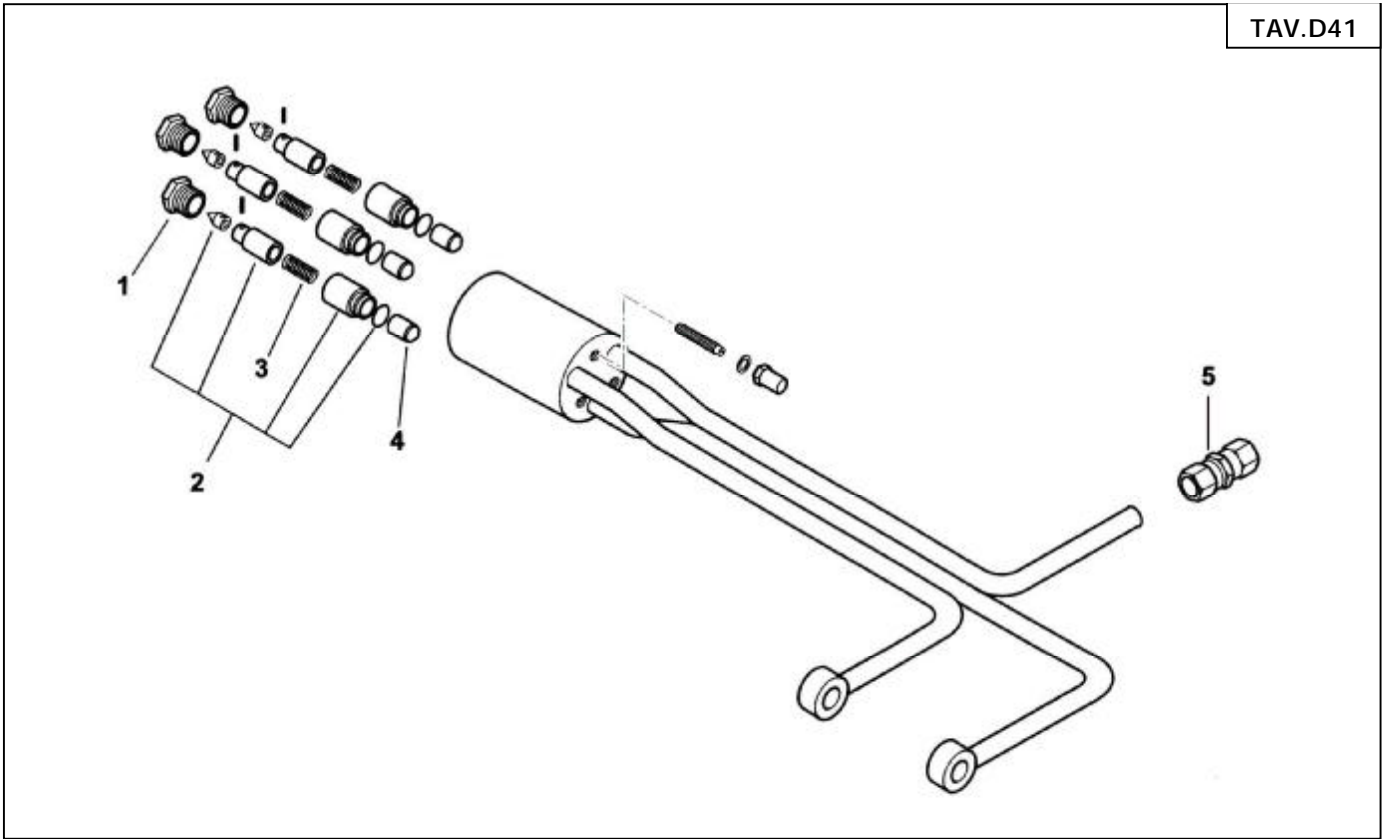
TAV.C217



Key	Part No	Description	Key	Part No	Description
1	B07-0012070011	Box			
2	B07-0006060006	Switch Panel			
3	B07-61228	Cover			
4	B07-0006060005	Switch Panle			
5	B07-0005120039	On/Off Switch			
6	B07-0005120041	Fuel Selector Switch			
7	B07-0005120040	Lock Out Light			
8	B07-0005120058	Fuel Indicator			
9	B07-0005110006	Relay Base			
10	B0-30677	Relay			
11	B07-0005110051	Contactor			
	B07-0005110056	Contactor			
	B07-0005110079	Contactor			
12	B07-0005110067	Overload			
	B07-0005110074	Overload			
			13	B07-0005110078	Auxiliary Contactor
				B07-0005110080	Auxiliary Contactor
			14	B07-23005	Motor
			15	B07-0005020034	Filter
			16	B07-23525	Wiring Base
			17	B07-0005030071	Control Box
			18	B07-7456	Fuse
			19	B07-0005130044	10 Pole Connector

# BDC 300 – Nozzle Line Assembly

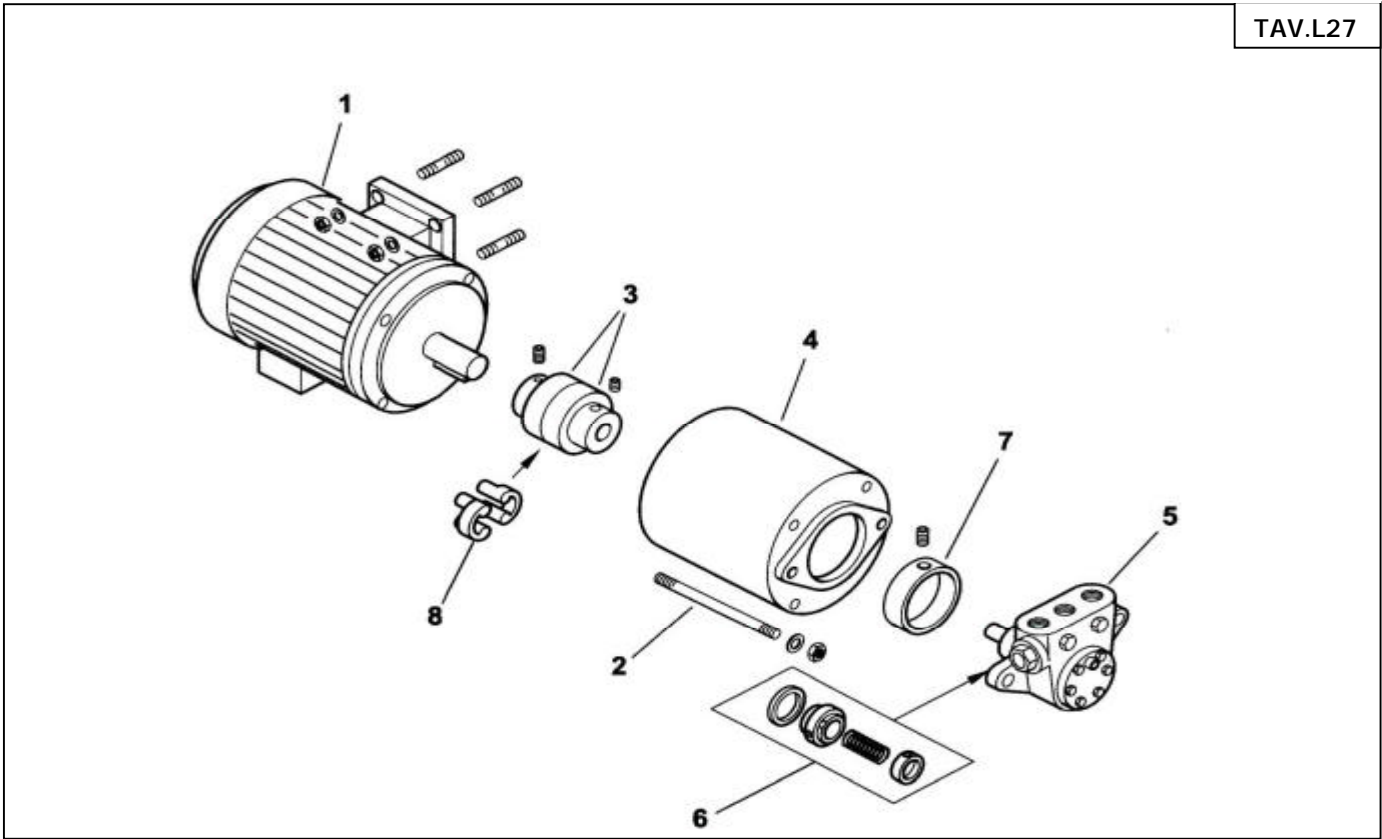
TAV.D41



Key	Part No	Description	Key	Part No	Description
1	B07-18095	Bush	5	B07-23083	Connector
2	B07-95263	Piston Assembly			
3	B07-18093	Spring			
4	B07-18098	Piston Control			

# BDC 300 – Pump Unit

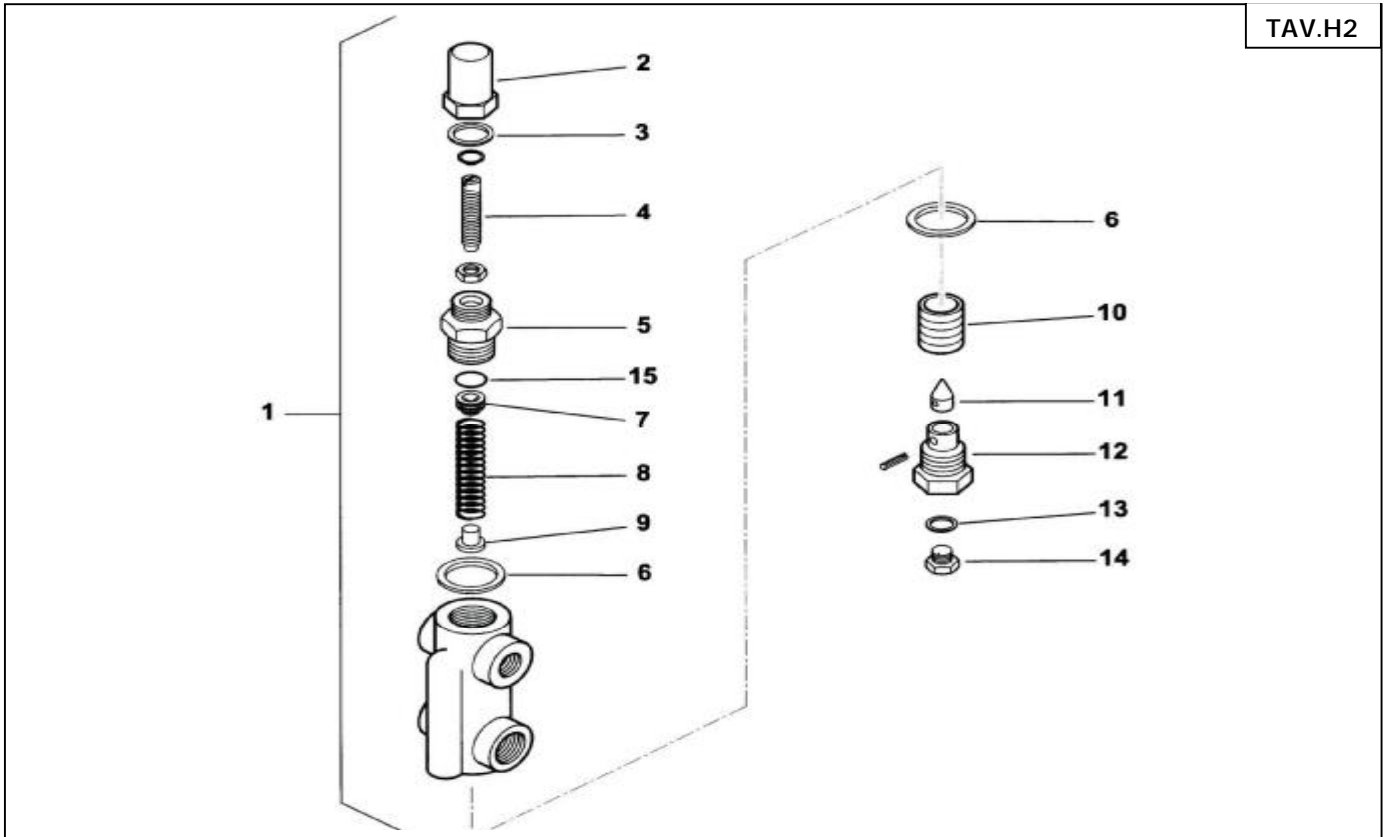
TAV.L27



Key	Part No	Description	Key	Part No	Description
1	B07-31413	Motor	6	B07-95519	Sealing Assembly
2	B07-32680	Fixing Bolt	7	B07-36824	Collar
3	B07-29650	Coupling	8	B07-17886	Inner Coupling
4	B07-29649	Housing			
5	B07-0005060020	Pump			

# BDC 300 – Valve Assembly

TAV.H2



Key	Part No	Description	Key	Part No	Description
1	B07-16325	Valve Assembly	15	B07-23803	O-Ring
2	B07-16234	Cap			
3	B07-30425	Washer			
4	B07-16233	Regulating Screw			
5	B07-16372	Nipple			
6	B07-18257	Washer			
7	B07-16373	Spring Cap			
8	B07-3479	Spring			
9	B07-4718	Spring End			
10	B07-4717	Piston			
11	B07-18245	Pin			
12	B07-3267	Bush			
13	B07-4987	Washer			
14	B07-15112	Plug			