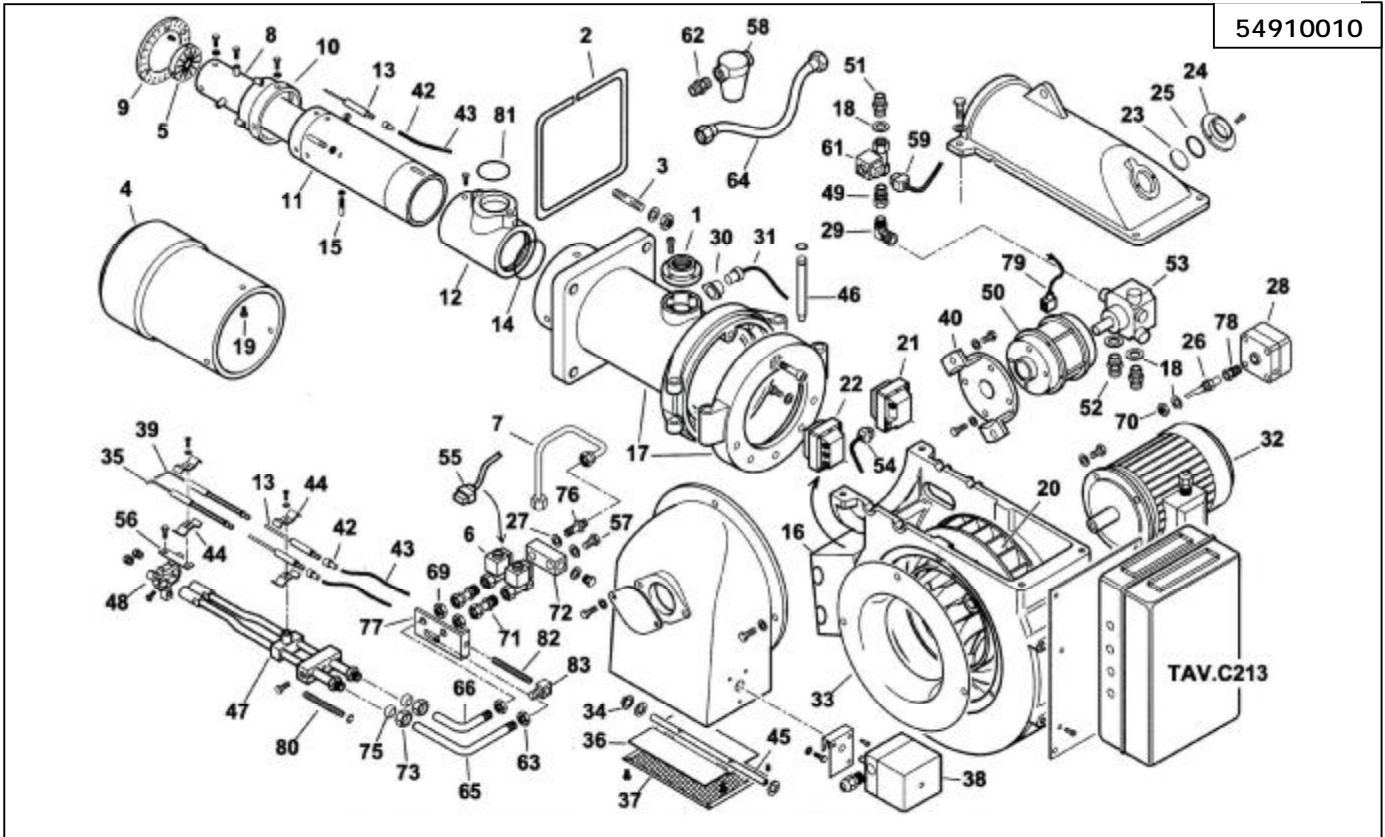


# BDC 36 – 2 Stage

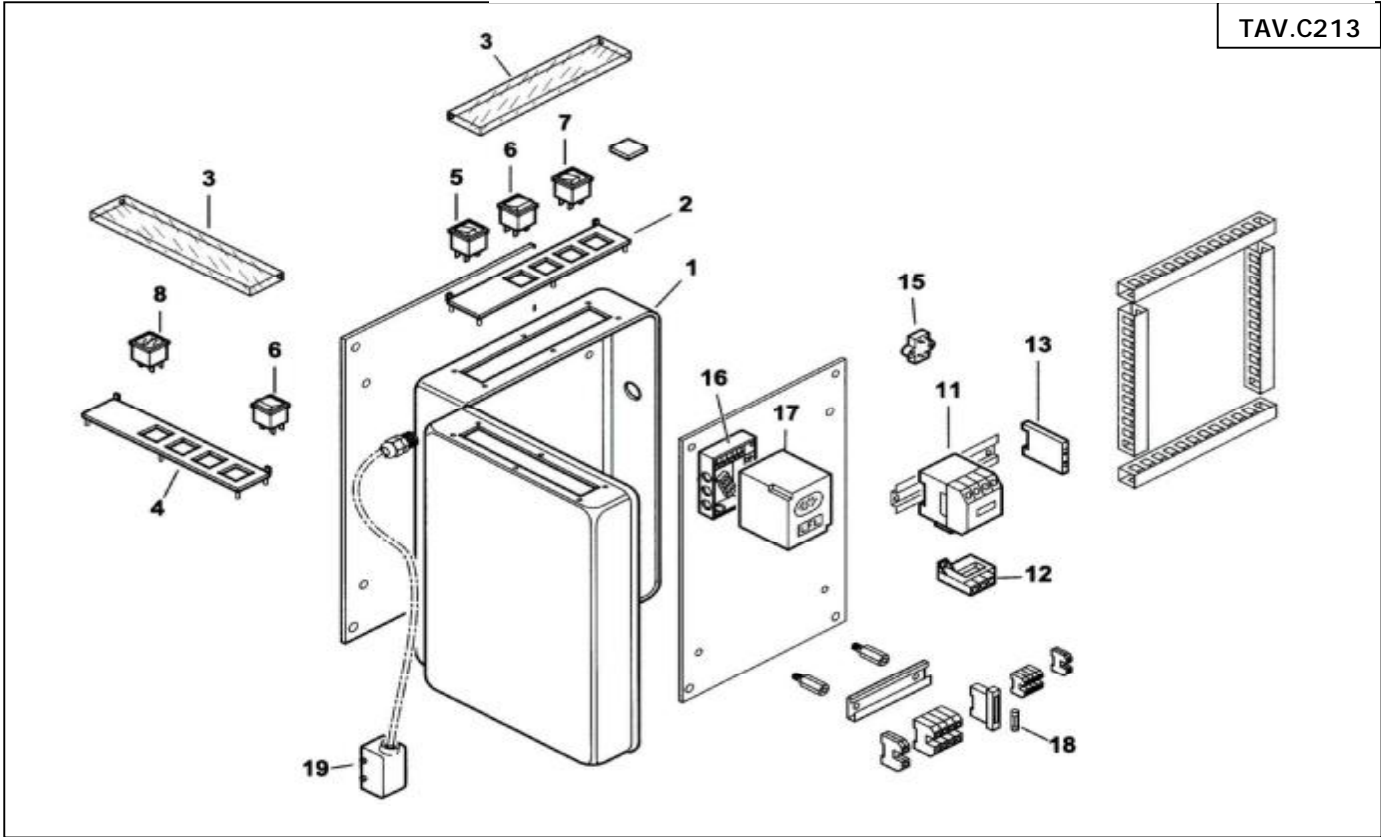
54910010



Key	Part No	Description	Key	Part No	Description	Key	Part No	Description
1	B07-55003	Gas Pipe Collar	29	B07-4148	Elbow	57	B07-16051	Plug
2	B07-23215	Cord Seal	30	B07-30895	Photocell Flange		B07-30768	Filter
3	B07-17639	Studs	31	B07-30837	Photocell	58	B07-95046	Cartridge
4	B07-55011	End Cone	32	B07-16897	Motor		B07-95100	Seal
5	B07-55019	Oil Brakeplate	33	B07-16936	Air Inlet Guide	59	B07-30761	Coil Lead
6	B07-31008	Solenoid Valve	34	B07-54056	Bush	61	B07-31169	Solenoid Valve
	B07-95247	Valve Coil	35	B07-55038	Left Electrode	62	B07-18138	Nipple
7	B07-55053	Oil Pipe	36	B07-14212	Air Inlet Guard	63	B07-53073	Nut
8	B07-55017	Air Pipe	37	B07-34489	Air Inlet Guard	64	B07-19302	Flexible Oil Line
9	B07-55013	Gas Brakeplate	38	B07-31380	Air Damper Motor	65	B07-55029	1 <sup>st</sup> Stage Oil Pipe
10	B07-55014	Collar	39	B07-55037	Right Electrode	66	B07-55032	2 <sup>nd</sup> Stage Oil Pipe
11	B07-55015	Gas Pipe	40	B07-55005	Motor Bracket	69	B07-4314	Nut
12	B07-55002	Gas Elbow	42	B07-0005060037	Ignition Cable Cap	70	B07-35623	Nut
13	B07-55039	Gas Electrode	43	B07-30223	HT Cable	71	B07-29972	Coupling
14	B07-23511	O-Ring	44	B07-27017	Bracket	72	B07-55063	Manifold
15	B07-53513	Screw	45	B07-14211	Air Damper Pin	73	B07-23829	Nut
16	B07-55042	Cover	46	B07-55036	Hinge Pin	75	B07-23822	Olive
17	B07-55073	Hinge Assembly	47	B07-55021	Nozzle Line Assy	76	B07-14124	Nipple
18	B07-4987	Washer	48	B07-55020	Support	77	B07-55033	Sliding Plate
19	B07-55035	Screw	49	B07-39042	Bush	78	B07-31053	Bush
20	B07-16952	Fan		B07-0005010131	Pump Motor	79	B07-0005130050	Motor Lead
21	B07-0005020030	Gas Transformer	50	B07-0005010133	Capacitor	80	B07-55027	Regulating Screw
22	B07-28749	Oil Transformer		B07-0005010132	Coupling	81	B07-31438	O-Ring
23	B07-0020020030	Sight Glass	51	B07-17065	Nipple	82	B07-55079	Regulating Screw
24	B07-3172	Sight Glass Holder	52	B07-17663	Nipple	83	B07-55034	Fixing Bolt
25	B07-23839	O-Ring	53	B07-30764	Pump			
26	B07-59638	Nipple for Airtake	54	B07-0005130111	Transformer Lead			
27	B07-146	Washer	55	B07-0005130098	Coil Lead			
28	B07-30245	Pressure Switch	56	B07-14171	Bracket Support			
							TAV.C213	Control Panel

# Control Panel – BDC 36 – 2 Stage

TAV.C213



Key	Part No	Description	Key	Part No	Description
1	B07-60089	Box	13	B07-0005110078	Auxiliary Contactor
2	B07-0006060006	Switch Panel		B07-0005110080	Auxiliary Contactor
3	B07-61228	Cover	15	B07-0005020034	Filter
4	B07-0006060005	Switch Panel	16	B07-23525	Wiring Base
5	B07-0005120039	On/Off Switch	17	B07-0005030071	Control Box
6	B07-0005120041	Fuel Selector Switch	18	B07-7456	Fuse
7	B07-0005120040	Lock Out Light	19	B07-0005130044	10 Pole Connector
8	B07-0005120058	Fuel Indicator			
11	B07-0005110051	Contactator			
	B07-0005110079	Contactator			
12	B07-0005110066	Overload			