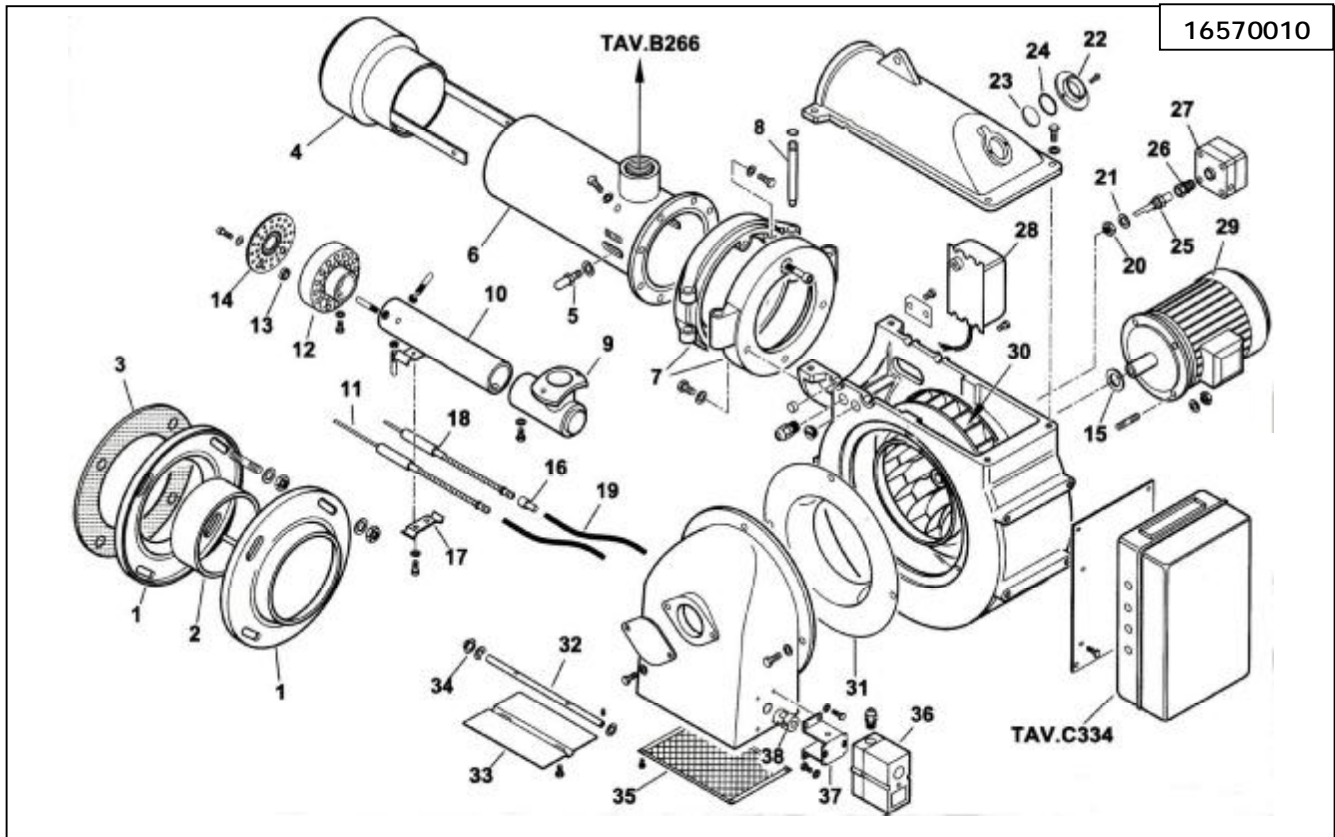


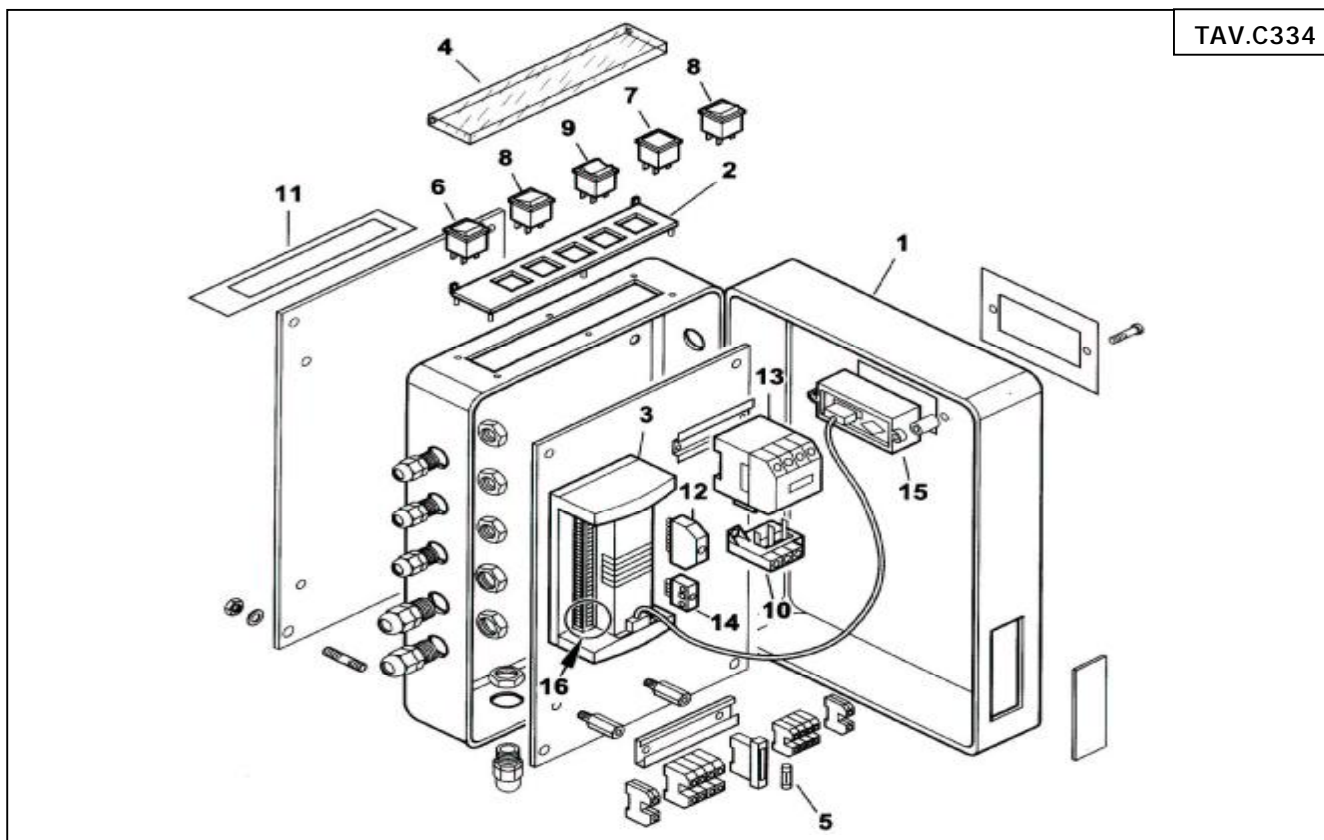
BGN 100 Modulating ME



Key	Part No	Description	Key	Part No	Description
1	B07-29593	Flange	22	B07-3172	Sight Glass Holder
2	B07-29587	Flange Collar	23	B07-0020020030	Sight Glass
3	B07-29584	Gasket for Flange	24	B07-23839	O-ring
4	B07-34927	End Cone	25	B07-0010060035	Nipple
5	B07-18476	Fixing Nut	26	B07-31053	Bush
6	B07-34955	Burner Tube	27	B07-30245	Pressure Switch
7	B07-34991	Hinge Assembly	28	B07-15995	Transformer
8	B07-56084	Hinge Pin	29	B07-5449	Motor
9	B07-34911	Gas Elbow	30	B07-98186	Fan
10	B07-34912	Gas Tube	31	B07-29588	Air Guide
11	B07-34942	Probe	32	B07-0010030083	Air Damper Pin
12	B07-0010070011	Gas Head	33	B07-27580	Air Damper Flap
13	B07-28171	Spacer	34	B07-54056	Bush
14	B07-0010070013	Brake Plate	35	B07-34921	Air Inlet Guard
15	B07-28078	Spacer	36	B07-0006020266	Air Damper Motor
16	B07-0005060037	Ignition Cable Cap	37	B07-0010030086	Support
17	B07-34929	Support	38	B07-0006020188	Coupling
18	B07-34941	Electrode			
19	B07-30223	HT Cable			
20	B07-35623	Fixing Nut		TAV.C334	Control Panel
21	B07-4987	Washer		TAV.B266	Gas Train

Control Panel - BGN 100 Modulating ME

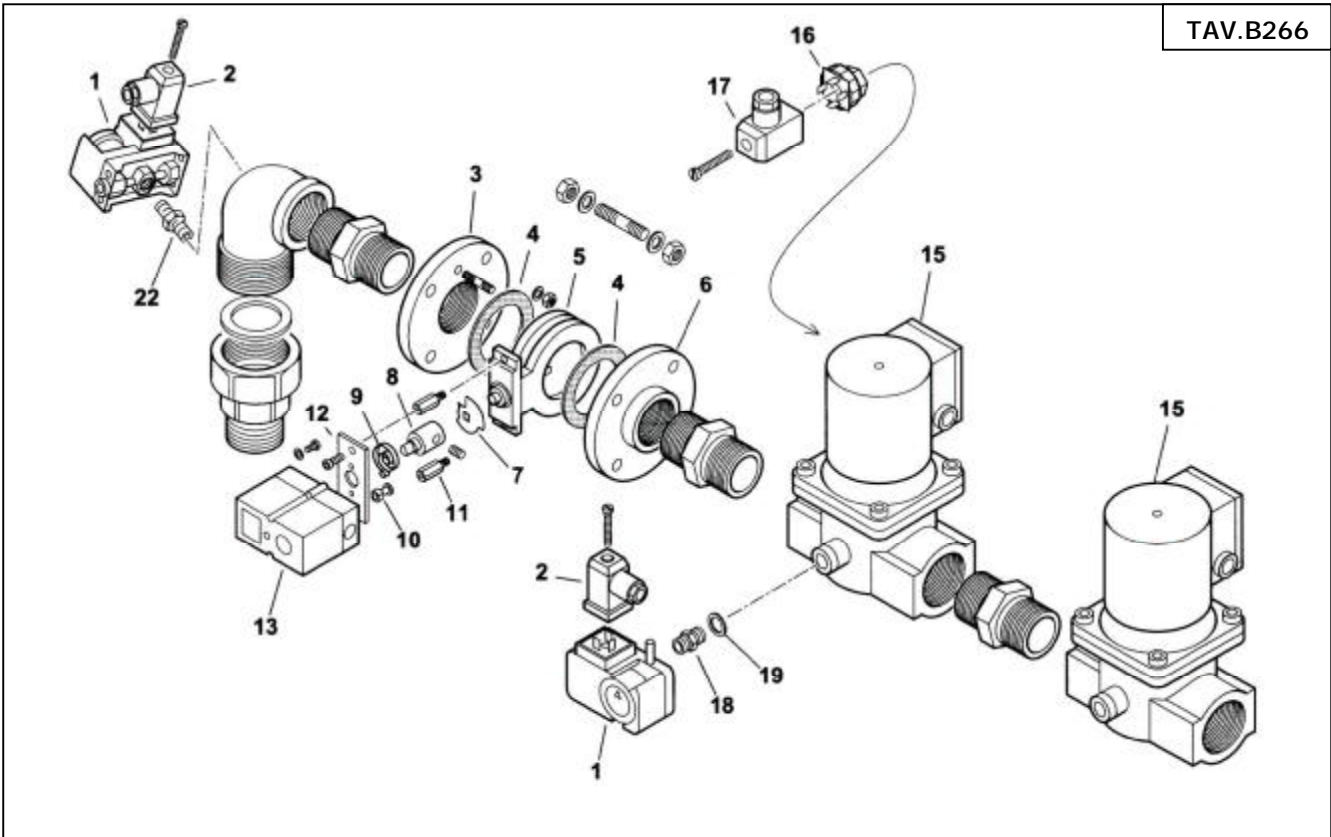
TAV.C334



Key	Part No	Description	Key	Part No	Description
1	B07-0012010100	Box	14	B07-0005130043	4 Pole Connector
2	B07-0006060008	Switch Panel	15	B07-0005030152	Display
3	B07-0006020268	MPA22 Controller	16	B07-0005030148	MPA22 Connector
4	B07-61228	Cover			
5	B07-7456	Fuse			
6	B07-0005120068	On/Off Switch			
7	B07-0005120053	Lock Out Light			
8	B07-0005120041	Auto/Man – Line Switch			
9	B07-0005120038	Manual Switch			
10	B07-0005110068	Overload			
11	B07-0006060019	Switch Panel Badge			
12	B07-0005130051	7 Pole Connector			
13	B07-0005110051	Contact			

Gas Train - BGN 100 Modulating ME

TAV.B266



Key	Part No	Description
1	B07-0005040068	Pressure Switch
2	B07-23522	Pressure Switch Connector
3	B07-0006020041	Flange DN50
4	B07-23767	Gasket for Flange
5	B07-0006020257	Butterfly Valve
6	B07-23409	Flange DN50
7	B07-0006020254	Position Indicator
8	B07-0006020250	Coupling
9	B07-0012010105	Spring
10	B07-0012010106	Pin
11	B07-0022030047	Spacing Pillar
12	B07-0012120092	Bracket
13	B07-0006020265	Servo Motor

Key	Part No	Description
15	B07-0005090054	Valve Body
	B07-0005090096	Coil
	B07-0005090084	Valve Stem
16	B07-0005140453	Valve Block Connector
17	B07-23521	Valve Connector
18	B07-0010060030	Nipple
19	B07-4987	Washer
22	B07-0005150151	Nipple