

Control Panel - BGN 120 Modulating

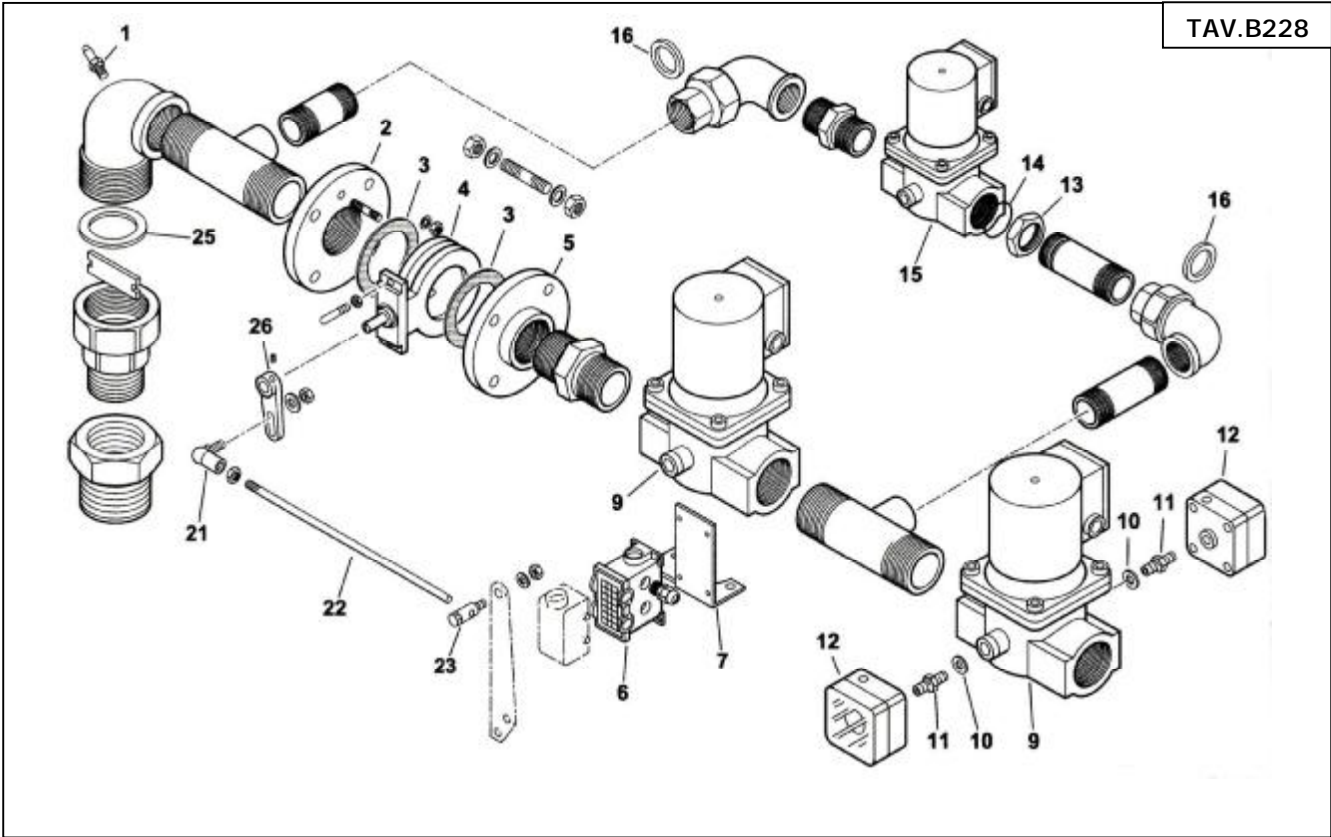
TAV.C347



Key	Part No	Description	Key	Part No	Description
1	B07-0010030024	Box	14	B07-0005130044	10 Pole Connector
2	B07-0006060008	Switch Panel			
3	B07-0005030071	Control Box			
4	B07-61228	Cover			
5	B07-7456	Fuse			
6	B07-0005120039	On/Off Switch			
7	B07-0005120040	Lock Out Light			
8	B07-0005120041	Auto/Man – Line Switch			
9	B07-0005120038	Manual Switch			
10	B07-0005110069	Overload			
11	B07-0005020034	Filter			
12	B07-23525	Wiring Base			
13	B07-0005110051	Contactor			

Gas Train - BGN 120 Modulating

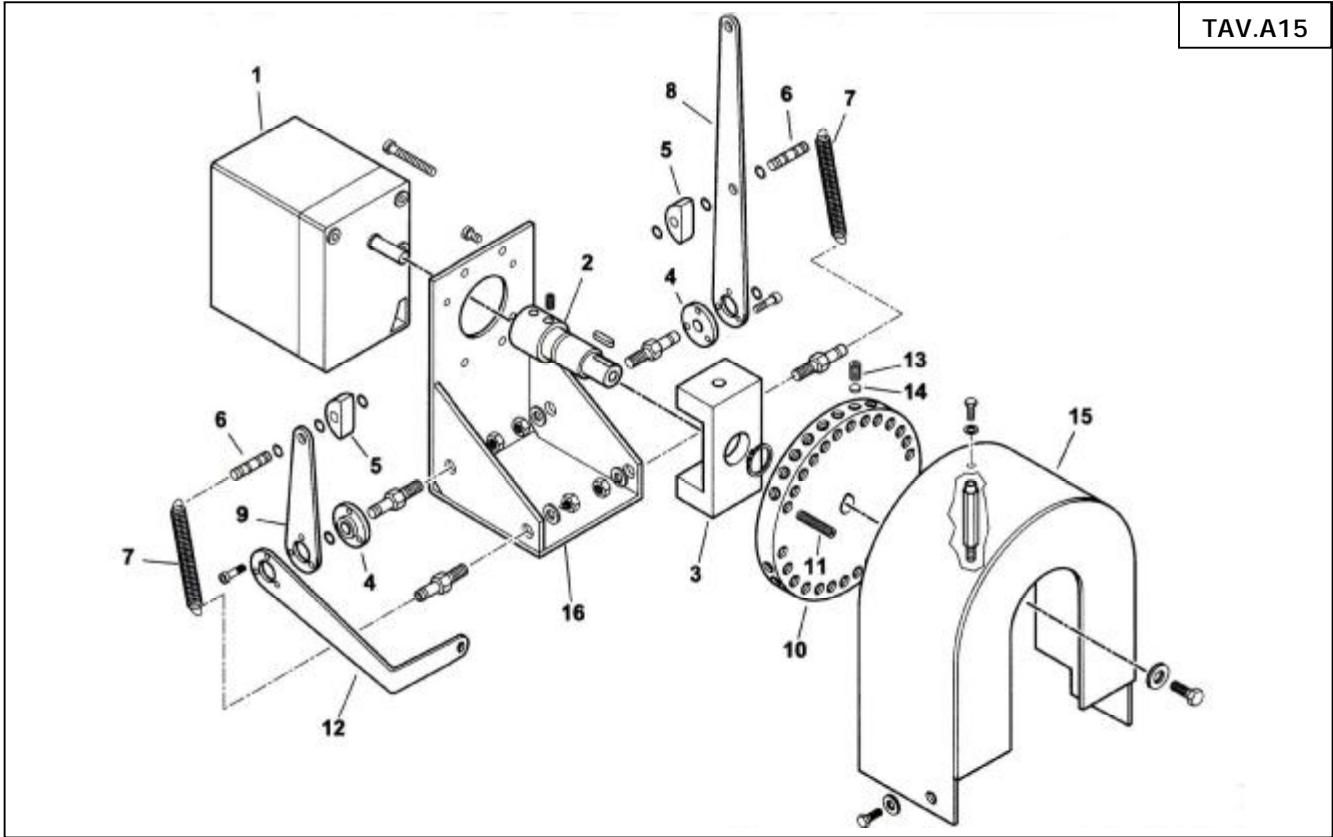
TAV.B228



Key	Part No	Description	Key	Part No	Description
1	B07-31483	Pressure Nipple	13	B07-34331	Locking Nut
2	B07-0006020041	Flange	14	B07-18692	O-Ring
3	B07-23767	Gasket for Flange	15	B07-0005090057	Valve Body
4	B07-0006020048	Butterfly Valve		B07-0005090079	Coil
5	B07-23409	Flange		B07-0005090086	Valve Stem
6	B07-19561	10 Pole Connector	16	B07-0005180003	Gasket
7	B07-0006020072	Support	21	B07-18695	Elbow
9	B07-0005090054	Valve Body	22	B07-61323	Linkage
	B07-0005090096	Coil	23	B07-19555	Linkage Clamp
	B07-0005090084	Valve Stem	25	B07-0005180006	Gasket
10	B07-4987	Washer	26	B07-54202	Lever
11	B07-0010060030	Nipple			
12	B07-30244	Pressure Switch			

Modulating System - BGN 120 Modulating

TAV.A15



Key	Part No	Description	Key	Part No	Description
1	B07-23205	Servo Motor	14	B07-16282	Locking Disc
2	B07-16349	Coupling	15	B07-16356	Cover
3	B07-16350	Support	16	B07-16348	Bracket
4	B07-16352	Bush			
5	B07-18797	Cam Follower			
6	B07-16354	Pin			
7	B07-49421	Spring			
8	B07-16358	Lever			
9	B07-16353	Lever			
10	B07-16347	Cam Wheel			
11	B07-16315	Cam Screw			
12	B07-16359	Arm			
13	B07-5488	Locking Screw			