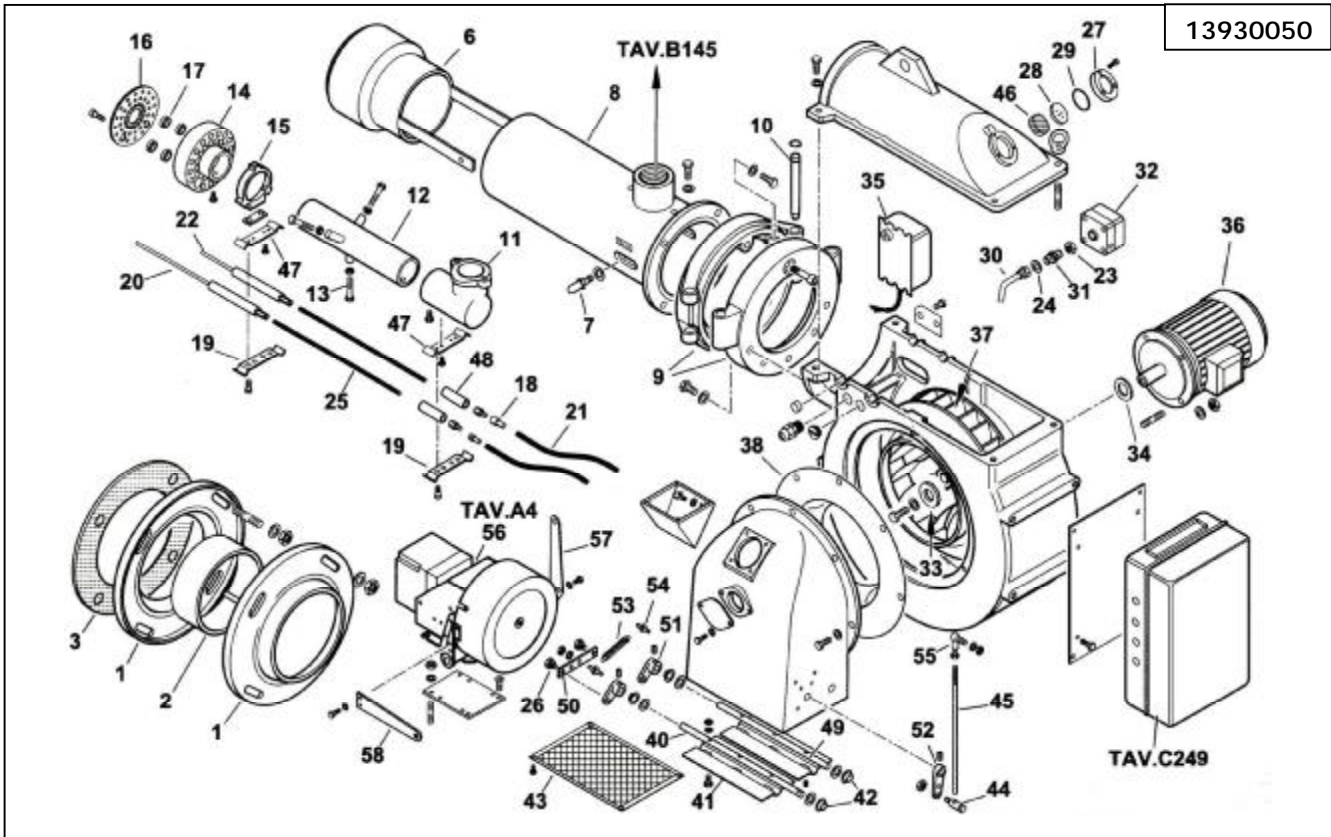


# BGN 250 Modulating

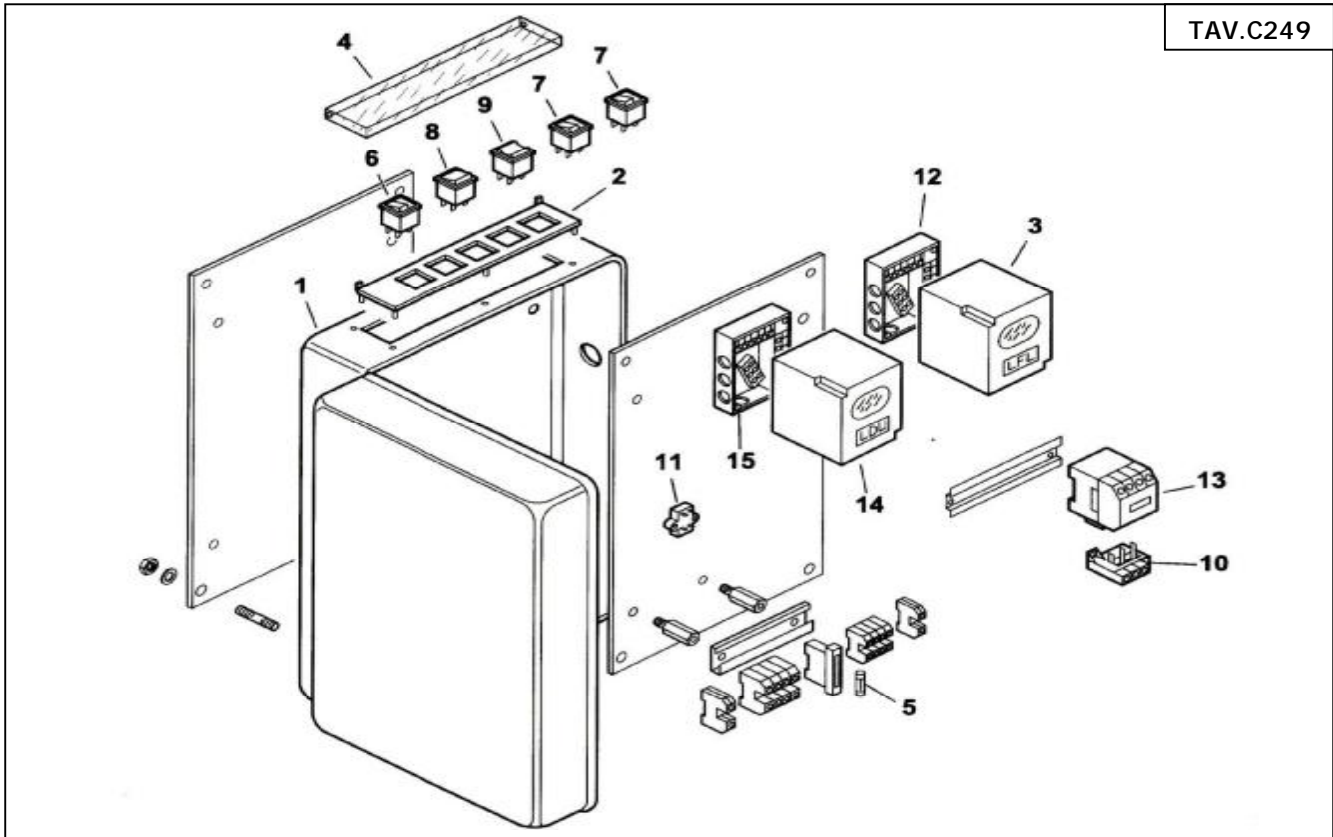
13930050



Key	Part No	Description	Key	Part No	Description
1	B07-29184	Flange	33	B07-17887	Spacer
2	B07-29186	Flange Collar	34	B07-29364	Spacer
3	B07-29185	Gasket for Flange	35	B07-15995	Transformer
6	B07-57130	End Cone	36	B07-30104	Motor
7	B07-18476	Fixing Nut	37	B07-29361	Fan
8	B07-57172	Burner Tube	38	B07-13028	Air Guide
9	B07-57271	Hinge Assembly	40	B07-57036	Air Damper Pin
10	B07-57173	Hinge Pin	41	B07-57029	Air Flap
11	B07-57125	Gas Elbow	42	B07-34314	Bush
12	B07-0012010036	Gas Tube	43	B07-0012010076	Air Inlet Guard
13	B07-45119	Screw	44	B07-19555	Linkage Clamp
14	B07-29358	Gas Head	45	B07-57233	Linkage
15	B07-37882	Support Ring	46	B07-38610	Sight Glass
16	B07-29276	Brake Plate	47	B07-57131	Support
17	B07-29277	Spacer	48	B07-19424	Insulator
18	B07-0005060037	Ignition Cable Cap	49	B07-57033	Pin
19	B07-57132	Support	50	B07-57232	Lever Bracket
20	B07-57159	Ionisation Electrode	51	B07-35677	Lever
21	B07-30223	HT Cable	52	B07-16301	Lever
22	B07-57158	Electrode	53	B07-18393	Spring
23	B07-35623	Fixing Nut	54	B07-35620	Lever Screw
24	B07-4987	Washer	55	B07-18695	Elbow Fitting
25	B07-57160	Extension	56	B07-16283	Modulator
26	B07-35619	Lever Screw	57	B07-44545	Support
27	B07-38611	Sight Glass Holder	58	B07-32753	Support
28	B07-38609	Clear Sight Glass			
29	B07-23299	O-Ring			
30	B07-0015010113	Air Tube		TAV.C248	Control Panel
31	B07-28932	Nipple		TAV.B145	Gas Train
32	B07-30245	Pressure Switch		TAV.A4	Modulating System

# Control Panel - BGN 250 Modulating

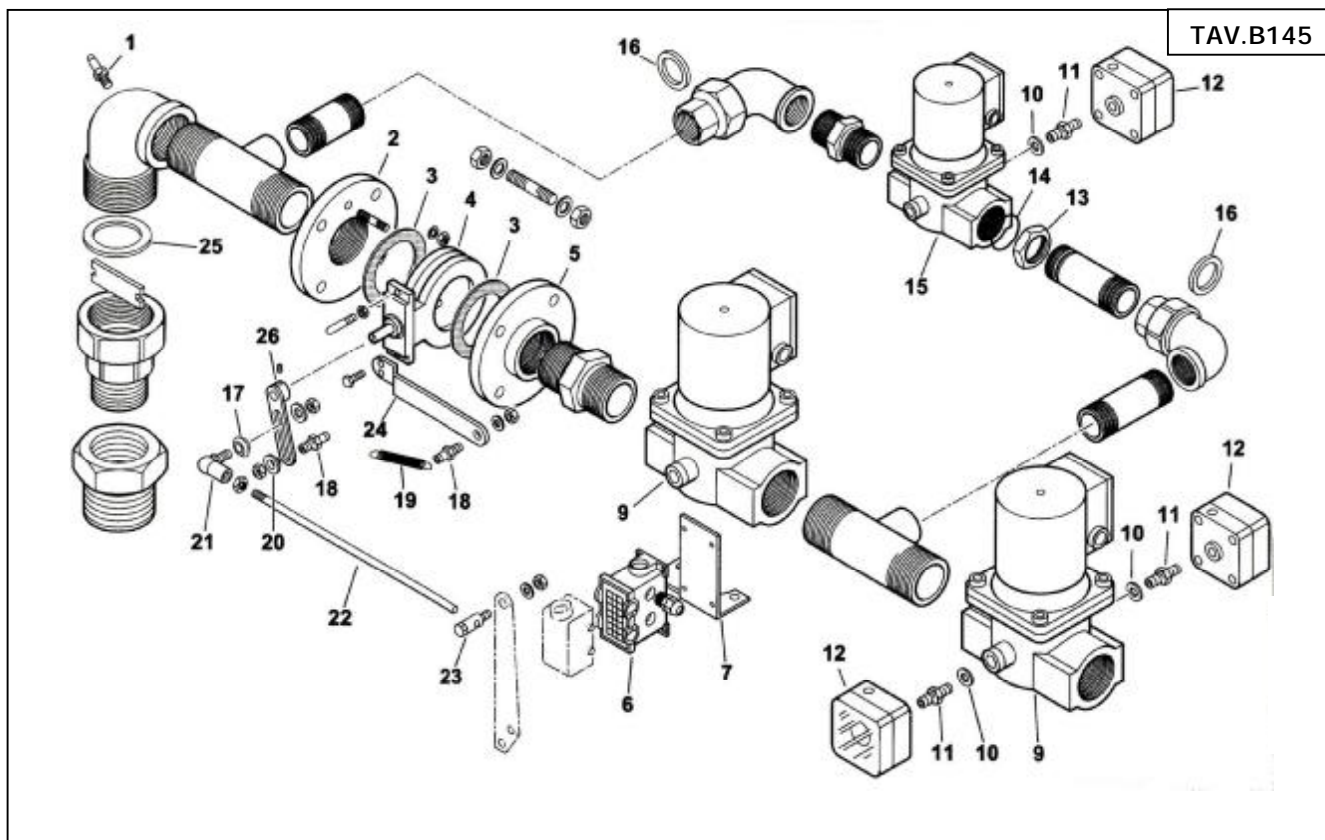
TAV.C249



Key	Part No	Description	Key	Part No	Description
1	B07-0010030065	Box	14	B07-31367	LDU11 Controller
2	B07-0006060008	Switch Panel	15	B07-23528	Wiring Base
3	B07-0005030071	Control Box			
4	B07-61228	Cover			
5	B07-7456	Fuse			
6	B07-0005120039	On/Off Switch			
7	B07-0005120040	Lock Out Light			
8	B07-0005120041	Auto/Man - Line Switch			
9	B07-0005120038	Manual Switch			
10	B07-0005110074	Overload			
11	B07-0005020034	Filter			
12	B07-23525	Wiring Base			
13	B07-0005110056	Contactor			

# Gas Train - BGN 250 Modulating

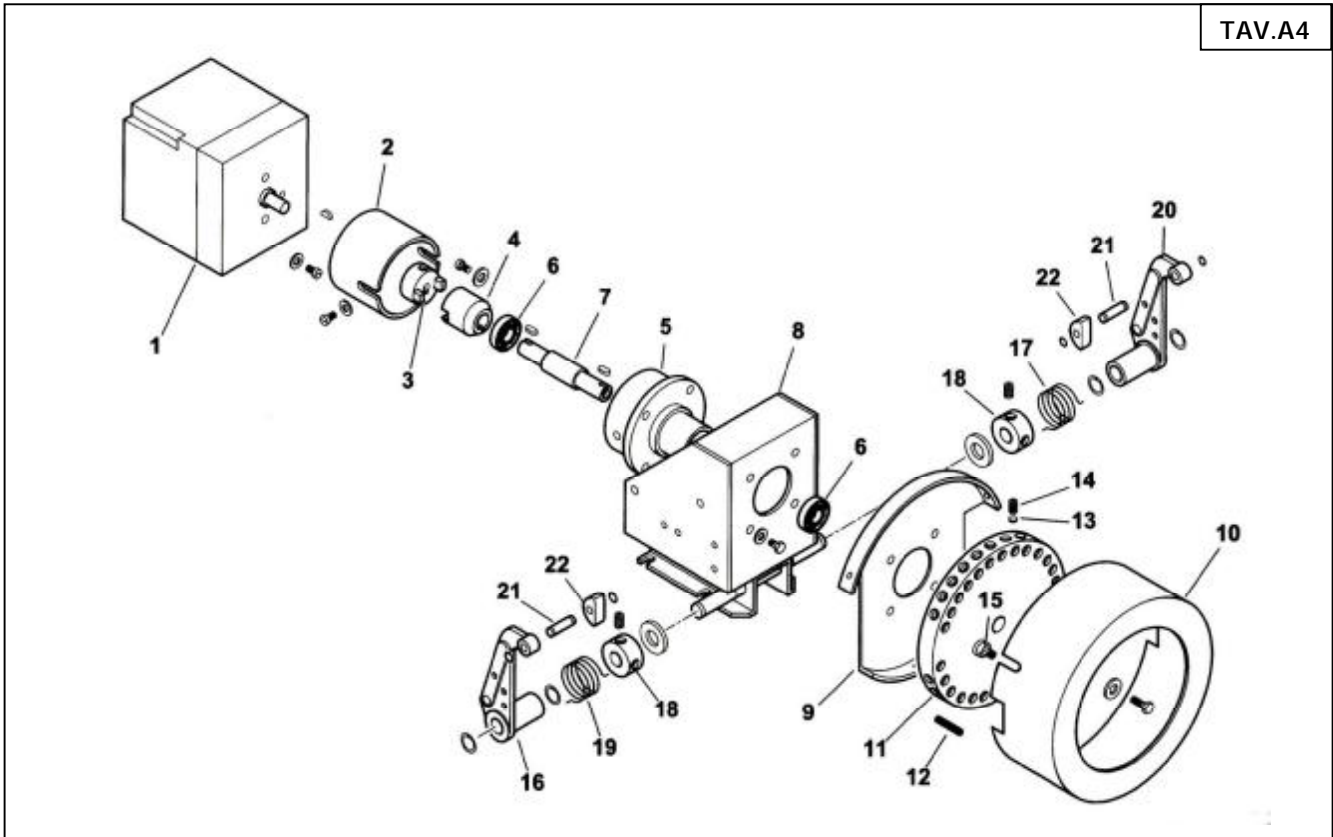
TAV.B145



Key	Part No	Description	Key	Part No	Description
1	B07-31483	Pressure Nipple	15	B07-0005090057	Valve Body
2	B07-0006020042	Flange		B07-0005090079	Coil
3	B07-23768	Gasket for Flange		B07-0005090086	Valve Stem
4	B07-0006020049	Butterfly Valve	16	B07-0005180003	Gasket
5	B07-23409	Flange	17	B07-35621	Bush
6	B07-19561	10 Pole Connector	18	B07-17979	Lever Screw
7	B07-0006020075	Support	19	B07-18393	Spring
9	B07-0005090054	Valve Body	20	B07-35360	Spacer
	B07-0005090096	Coil	21	B07-18695	Elbow Fitting
	B07-0005090084	Valve Stem	22	B07-41516	Linkage
10	B07-4987	Washer	23	B07-19555	Linkage Clamp
11	B07-0010060030	Nipple	24	B07-41531	Support
12	B07-23375	Pressure Switch	25	B07-0005180005	Gasket
13	B07-34331	Fixing Nut	26	B07-35633	Lever
14	B07-31180	O-Ring			

# Modulating System - BGN 250 Modulating

TAV.A4



Key	Part No	Description
1	B07-31071	Servo Motor
2	B07-16261	Shroud
3	B07-16260	Coupling Half
4	B07-16259	Coupling Half
5	B07-16258	Support
6	B07-30257	Bearing
7	B07-16257	Coupling Pin
8	B07-16255	Bracket
9	B07-16254	Cover Back Plate
10	B07-16253	Cover
11	B07-16256	Cam Wheel
12	B07-16315	Cam Screw
13	B07-16282	Locking Disc

Key	Part No	Description
14	B07-5488	Locking Screw
15	B07-12317	Cover Screw
16	B07-18796	Left Lever
17	B07-33823	Right Spring
18	B07-33979	Clamp
19	B07-33822	Left Spring
20	B07-18795	Right Lever
21	B07-18802	Pin
22	B07-18797	Cam Follower