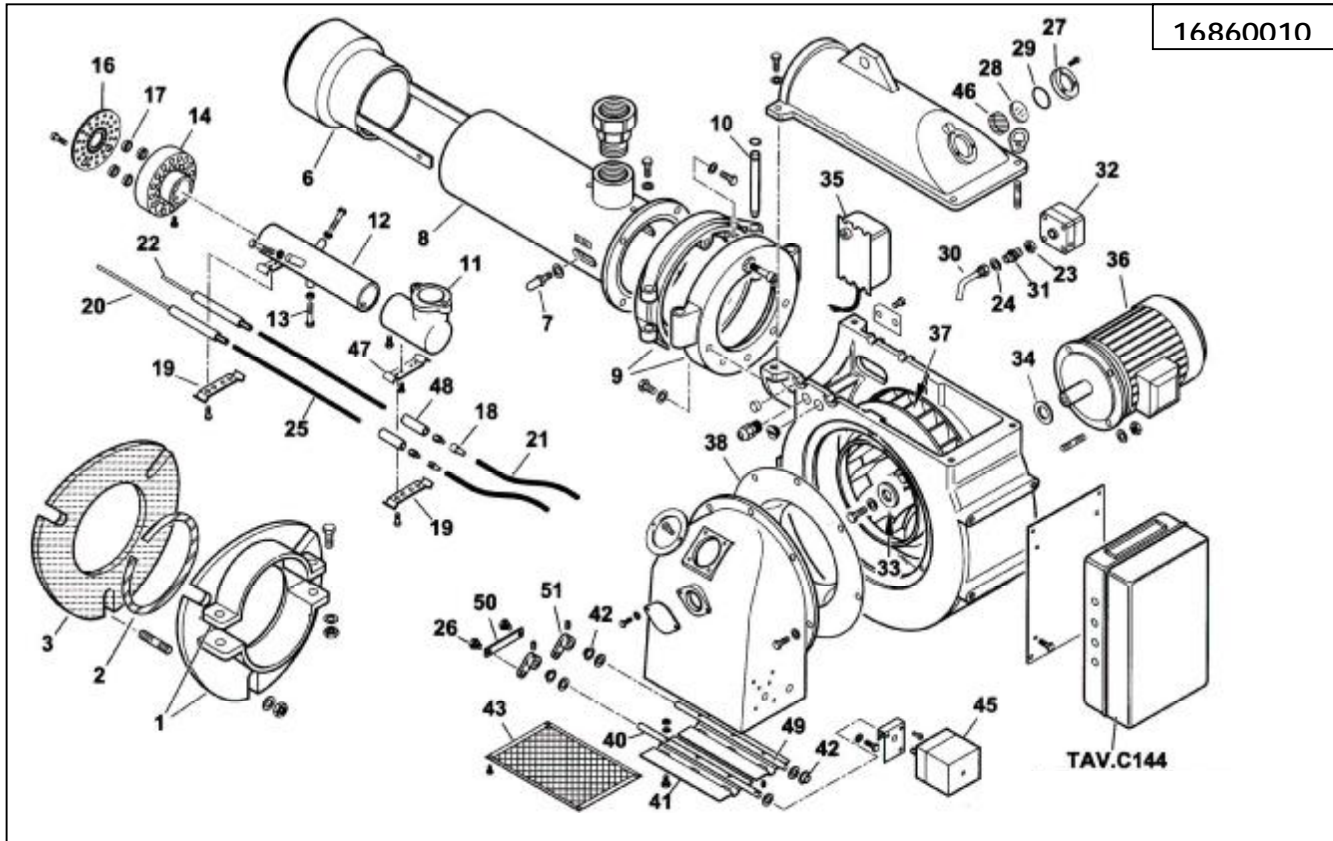


BGN 350 – 2 Stage

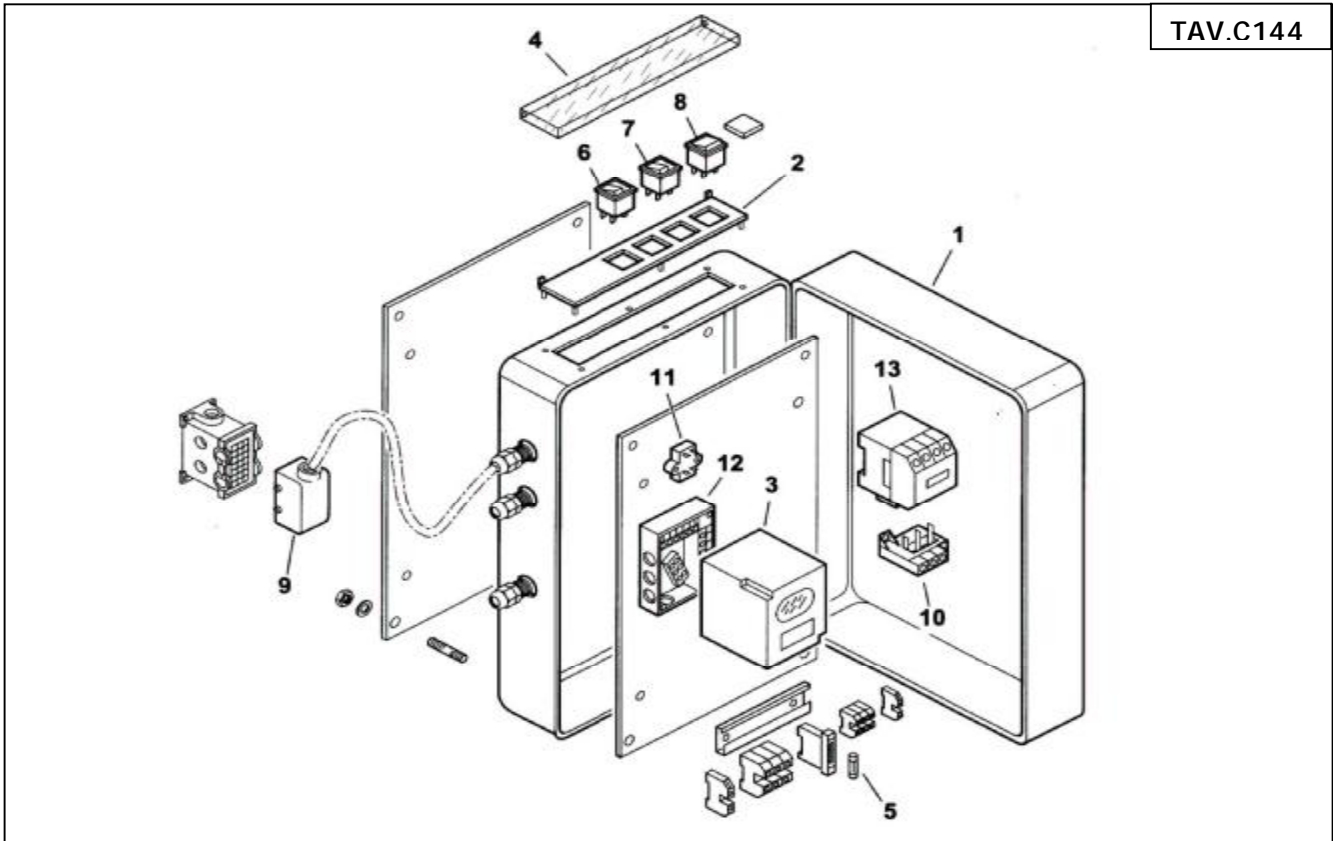


Key	Part No	Description
1	B07-0006020159	Flange
2	B07-23215	Cord Seal
3	B07-17791	Gasket for Flange
6	B07-13393	End Cone
7	B07-18476	Fixing Nut
8	B07-13396	Burner Tube
9	B07-13421	Hinge Assembly
10	B07-13382	Hinge Pin
11	B07-13387	Gas Elbow
12	B07-13399	Gas Tube
13	B07-0015010122	Screw
14	B07-17800	Gas Head
16	B07-17804	Brake Plate
17	B07-29277	Spacer
18	B07-0005060037	Ignition Cable Cap
19	B07-57132	Support
20	B07-57159	Ionisation Electrode
21	B07-30223	HT Cable
22	B07-57158	Electrode
23	B07-35623	Fixing Nut
24	B07-4987	Spacer
25	B07-45072	Extension
26	B07-35619	Lever Screw
27	B07-38611	Sight Glass Holder

Key	Part No	Description
28	B07-38609	Clear Sight Glass
29	B07-23299	O-Ring
30	B07-0015010113	Air Tube
31	B07-28932	Nipple
32	B07-30245	Pressure Switch
33	B07-17887	Spacer
34	B07-29364	Spacer
35	B07-15995	Transformer
36	B07-30104	Motor
37	B07-29361	Fan
38	B07-13028	Air Guide
40	B07-57102	Air Damper Pin
41	B07-57029	Air Flap
42	B07-34314	Bush
43	B07-0012010076	Air Inlet Guard
45	B07-31380	Servo Motor
46	B07-38610	Sight Glass
47	B07-57131	Bracket
48	B07-19424	Insulator
49	B07-57033	Pin
50	B07-29498	Lever Bracket
51	B07-35677	Lever
	TAV.C144	Control Panel

Control Panel BGN 350 – 2 Stage

TAV.C144



Key	Part No	Description	Key	Part No	Description
1	B07-34497	Box			
2	B07-0006060006	Switch Panel			
3	B07-0005030071	Control Box			
4	B07-61228	Cover			
5	B07-7456	Fuse			
6	B07-0005120039	On/Off Switch			
7	B07-0005120040	Lock Out Light			
8	B07-0005120041	Auto/Man – Line Switch			
9	B07-0005130044	10 Pole Connector			
10	B07-0005110070	Overload			
11	B07-0005020034	Filter			
12	B07-23525	Wiring Base			
13	B07-0005110051	Contactor			