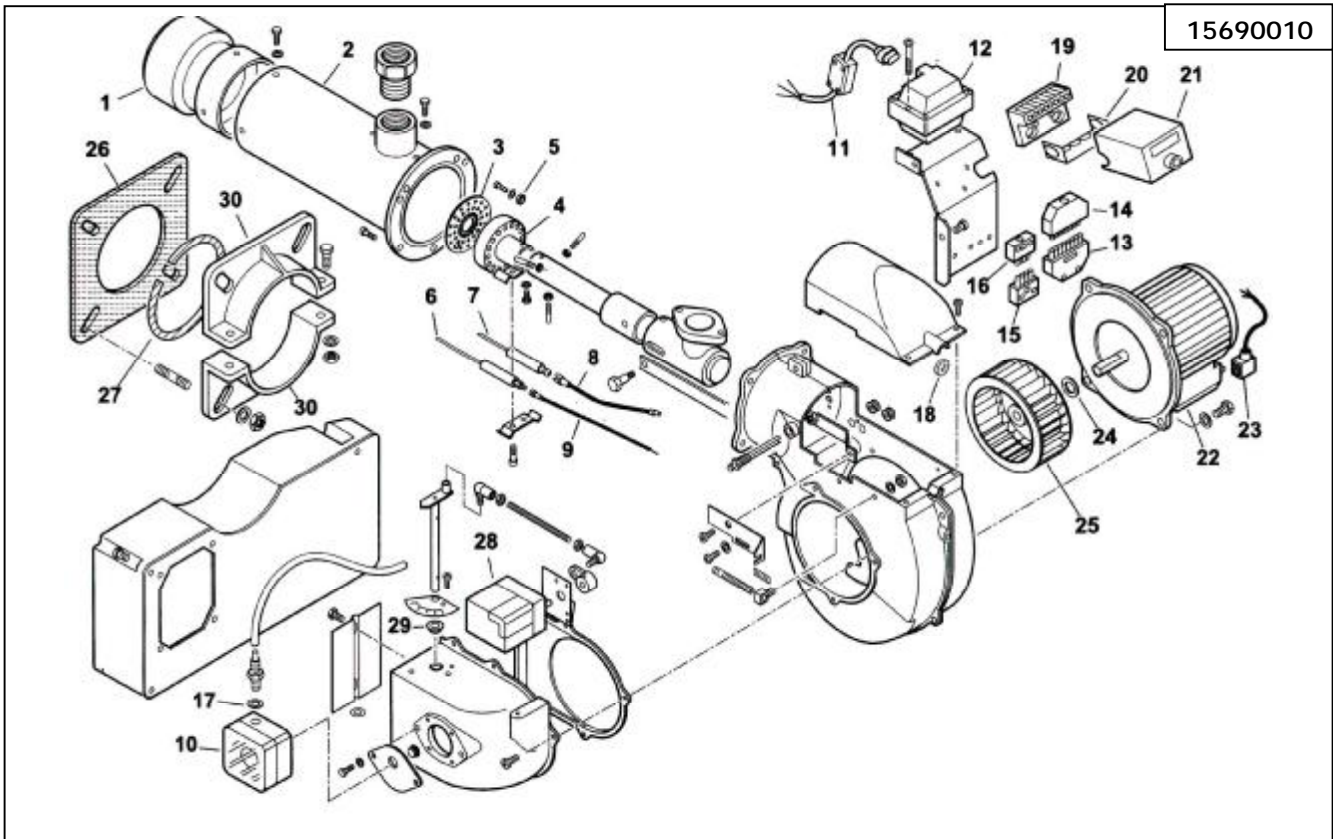


BGS 30 – 2 Stage



Key	Part No	Description	Key	Part No	Description
1	B07-0020020027	End Cone	20	B07-0005030012	Cable Entry Plate
2	B07-0020020041	Burner Tube	21	B07-23400	Control Box
3	B07-31514	Air Adjustment Wheel	22	B07-0005010059	Motor
4	B07-54217	Gas Head		B07-95079	Capacitor
5	B07-31528	Spacer	23	B07-0005130096	Motor Cable
6	B07-53122	Probe	24	B07-28718	Spacer
7	B07-53121	Electrode	25	B07-61013	Fan
8	B07-0005020036	HT Cable	26	B07-34462	Gasket for Flange
9	B07-0005140153	Ionisation Cable	27	B07-61029	Cord Seal
10	B07-30245	Pressure Switch	28	B07-0005040020	Air Damper Motor
11	B07-0005140248	Cable for Transformer	29	B07-0019010010	Bush
12	B07-0005020030	Transformer	30	B07-834451	Half Flange
13	B07-0005130051	7 Pin Wieland Plug			
14	B07-0005130052	7 Pin Wieland Socket			
15	B07-0005130043	4 Pin Wieland Plug			
16	B07-0005130075	4 Pin Wieland Socket			
17	B07-4987	Washer			
18	B07-0020020030	Sight Glass			
19	B07-23527	Base			