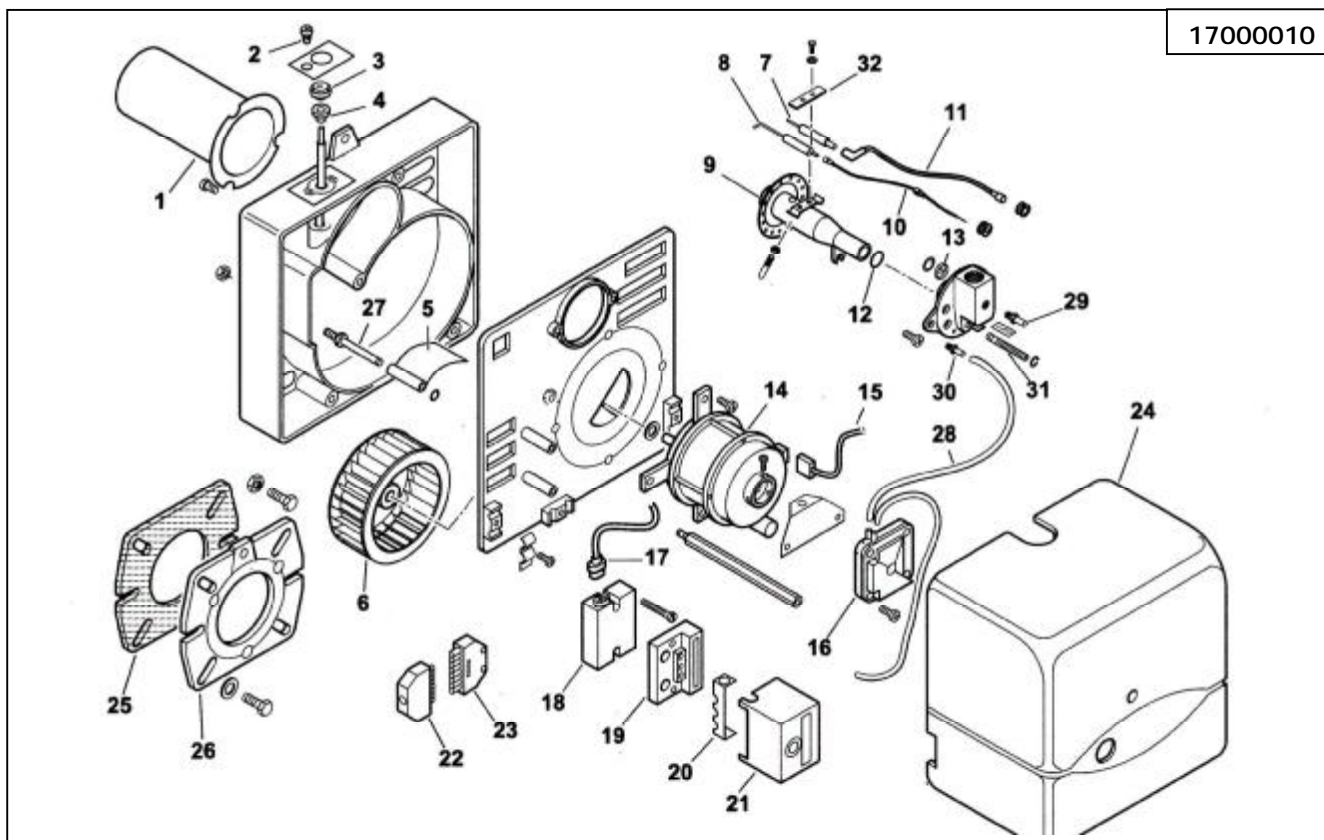


BTG 3 – 1 Stage

17000010



Key	Part No	Description
1	B07-0016020011	Burner Tube
2	B07-0016010011	Air Adjustment Screw
3	B07-0016010010	Air Adjustment Wheel
4	B07-0016010013	Plastic Bush
5	B07-0016010076	Air Damper Flap
6	B07-0016010019	Fan
7	B07-0013010038	Electrode
8	B07-0016020035	Probe
9	B07-0016020017	Brake Plate Assembly
10	B07-0005140234	Ionisation Cable
11	B070005140240	HT Cable
12	B07-30294	O-ring
13	B07-0013010027	Sight Glass
14	B07-0005010146	Motor
	B07-0005010133	Capacitor
15	B07-0005130016	Motor Cable Mains
16	B07-31490	Pressure Switch
17	B07-0005130111	Transformer Cable
18	B07-0005020046	Transformer
19	B07-23527	Control Box Base

Key	Part No	Description
20	B07-0005030012	Cable Entry Plate
21	B07-0015030011	Control Box
22	B07-0005130051	7 Pin Wieland Plug
23	B07-0005130052	7 Pin Wieland Socket
24	B07-0016020028	Rear Cover
25	B07-50413	Gasket for Flange
26	B07-8016020004	Flange
27	B07-0016010032	Spindle
28	B07-31492	PVC Tube
29	B07-31483	Pressure Nipple
30	B07-58029	Tube Connector
31	B07-0016020019	Regulating Screw
32	B07-53632	Support