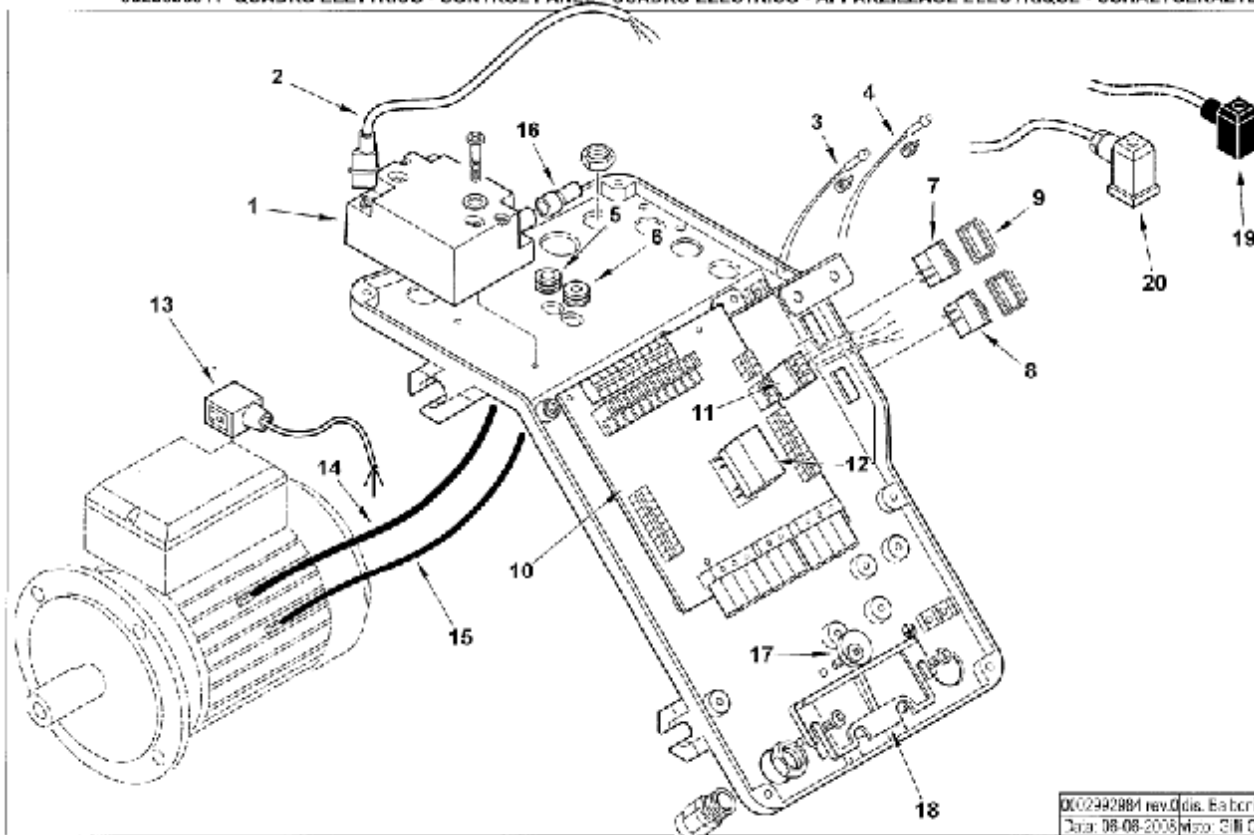


| Key | Part Number    | Description                |    |                |                                       |
|-----|----------------|----------------------------|----|----------------|---------------------------------------|
| 1   | B07-0025030002 | End cone                   | 28 | B07-0025030010 | Gas Pipe Connection                   |
| 2   | B07-0025030003 | Blast Tube                 | 29 | B07-0025030001 | Adjustment Block                      |
| 3   | B07-0025030013 | Gas intake Housing         | 30 | B07-0025010021 | Air Damper Rod                        |
| 4   | B07-0025030024 | Fixing bolt M6 x 117       | 31 | B07-0025010030 | Air Damper Plate                      |
| 5   | B07-23839      | O-ring                     | 32 | B07-54056      | Air Damper Securing Ring              |
| 6   | B07-0020020030 | Sight Glass                | 33 | B07-0025010035 | Air Damper Grill                      |
| 7   | B07-0025010023 | Fan 215mm x 90mm           | 34 | B07-0005150098 | Push On Pressure Nipple               |
| 8   | B07-0025010027 | Control panel cover        | 35 | B07-0005040134 | Pressure Switch Krom-DG6U-5           |
| 9   | B07-0025010047 | Burner Panel Display Plate | 36 | B07-0024010027 | Air Pressure Test Nipple              |
| 10  | B07-31483      | Pressure Test Nipple 1/8"  | 37 | B07-0025010025 | Air Deflector Plate                   |
|     |                |                            | 38 | B07-0025010094 | Pressure Switch Tube                  |
| 12  | B07-0005010189 | Motor 500w 1ph 230/50v     | 39 | B07-0025010025 | SQN72.2A4A20-B Server Motor           |
| 13  | B07-0025030025 | Brake Plate                | 40 | B07-834451     | Semi Flange                           |
| 14  | B07-0025030005 | Brake Plate Nozzle Mixer   | 41 | B07-34462      | Burner Gasket                         |
| 15  | B07-0025030006 | Nozzle Sleeves             | 42 | B07-61029      | Rope Seal                             |
| 16  | B07-0025030004 | Gas Head Mixer             | 43 | B07-17639      | Burner Mounting Studs M12x63          |
| 17  | B07-0025003008 | Inner Gas Pipe - Straight  | 44 | B07-0005030201 | LME22.331A2 Control Box <sup>-1</sup> |
| 18  | B07-0025030014 | Ionization probe           | 45 | X01-0045       | 4 Pin Plug                            |
| 19  | B07-0025030026 | Ignition Probe             | 46 | X01-0044       | 7 Pin Plug                            |
| 20  | B07-0017030027 | Securing Bracket           | 47 | B07-0030010574 | Pressure Nipple Flange                |
| 21  | B07-61299      | Clamping Bracket           |    |                |                                       |
| 22  | B07-0005060037 | Fully Shrouded Rajah clip  |    |                |                                       |
| 23  | B07-0025030009 | Inner Gas Pipe - Angled    |    |                |                                       |
| 24  | B07-0005180082 | Securing Screw             |    |                |                                       |
| 25  | B07-0025030017 | Adjustment Bracket         |    |                |                                       |
| 26  | B07-0020020043 | Adjustment Bracket screw   |    |                |                                       |
| 27  | B07-0005180082 | Gas Pipe O-Ring            |    |                |                                       |



DK02492984 rev.0 (dis. E. B. b. r.)  
Data: 08-08-2008 W. S. P. S. C.  
TAV.C439

| Key | Part Number    | Description         | Key | Part number    | Description                 |
|-----|----------------|---------------------|-----|----------------|-----------------------------|
| 1   | B07-0005020069 | Transformer         | 11  | B07-0005130171 | 4 Pin Switch Connector      |
| 2   | B07-0005130111 | Transformer Cable   | 12  | B07-0005110104 | Relay                       |
| 3   | B07-0005120132 | Power LED           | 13  | B07-0005130096 | Motor Cable                 |
| 4   | B07-0005120133 | Lockout LED         | 14  | B07-0005020081 | HT Cable                    |
| 5   | B07-0005140236 | Cable Grommet       | 15  | B07-0005140153 | Ionization cable            |
| 6   | B07-0005140469 | Cable Grommet       | 16  | B07-0005140115 | HT Cable Shroud             |
| 7   | B07-0005120081 | On/Off Switch       | 17  | B07-0024010019 | Clamp Screw                 |
| 8   | B07-0005120123 | Safety Reset Switch | 18  | B07-0024030016 | Cable Clamp                 |
| 9   | B07-0005120137 | Rubber Switch Cover | 19  | D05-210319     | Hirschmann 4 way plug Black |
| 10  | B07-0006120015 | PCB Board           | 20  | D05-210318     | Hirschmann 4 way plug Grey  |
|     |                |                     |     |                |                             |