

### TECHNICAL AND FUNCTIONAL CHARACTERISTICS

- Gas-fired burner.
- Two-stage progressive output operation.
- Ability to operate with output modulation by means of automatic RWF40 regulator mounted on the control panel (to be ordered separately with the modulation kit).
- Ability to operate with any type of combustion chamber.
- Air-gas mixing at blast-pipe.
- Burnt gas recycling blast-pipe able to achieve very low pollutant emissions, particularly with regard to nitrous oxides (NOx).
- Maintenance facilitated by the fact that the mixing unit can be removed without having to remove the burner from the boiler.
- Minimum and maximum air flow regulation for first and second stage by means of electric servomotor with pause closure of gate to prevent any heat dispersion to flue.
- Fan speed adjustment in relation to changes in burner demand provided by means of inverter, to obtain a significant reduction in noise levels and electricity consumption (version V only).
- Possibility to choose gas train with valve tightness control.
- Equipped with one flange and one insulating seal

for boiler fastening.

### CONSTRUCTION CHARACTERISTICS

The burner consists of:

- Light aluminium alloy fan part.
- High performance centrifugal fan.
- Combustion air intake with air flow adjustment device.
- Sliding boiler coupling flange to adapt the head protrusion to the various types of boilers.
- Adjustable blast-pipe with stainless steel nozzle and deflector disk in steel.
- Three-phase electric motor to run fan (with electronic inverter control in version V).
- Air pressure switch to ensure the presence of combustion air.
- Monoblock modulating gas train complete with operation and safety valve, minimum pressure switch, pressure regulator and gas filter.
- Automatic control and command equipment for the burner, compliant with European standard EN298.
- Flame detection by ionisation electrode.
- Control panel comprising stop/go switch, automatic/manual and minimum/maximum selector, operation and block indicator.
- Terminal block for the electrical and thermostatic connections to the burner and to control the second stage of working or for the connection of the electronic output regulator.
- Electrical protection rating IP40.

Conforms to:  
 Gas Directive 90/396/CEE  
 E.M.C. Directive 89/336/CEE  
 L.V. Directive 73/23/CEE  
 Reference standard: EN676

Thermal output kW	Model	Part no.	Electrical supply	Motor kW	A mm	B 1 mm	B 5 mm	C mm	D mm	F mm	Size of packaging L x P x H mm	Weight kg	Notes
<b>Frequency 50 Hz</b>													
60 - 400	BGN 40 LX	15160010	3N AC 50Hz 400V	0.37	455	295	102	1080	140 - 310	135	1260 x 660 x 680	70	4)
60 - 400	BGN 40 LX V	15160015	1N AC 50Hz 230V	0.37	620	295	102	1080	140 - 310	135	1260 x 660 x 680	70	4)
80 - 720	BGN 60 LX	15180010	3N AC 50Hz 400V	1.1	540	365	120	1270	190 - 380	160	1510 x 750 x 720	98	4)
80 - 720	BGN 60 LX V	15180015	3N AC 50Hz 400V	1.1	525	365	120	1270	190 - 380	160	1510 x 750 x 720	103	4)
150 - 1200	BGN 120 LX	15220010	3N AC 50Hz 400V	2.2	630	450	137	1435	250 - 410	195	1730 x 1030 x 880	165	4)
150 - 1200	BGN 120 LX V	15220015	3N AC 50Hz 400V	2.2	620	450	137	1435	250 - 410	195	1730 x 1030 x 880	170	4)

### Accessories available on request

Part no.	Description
97980054	Soundproof burner cover for BGN 40 LX
97980055	Soundproof burner cover for BGN 40 LX V-BGN 60-120

### Modulating mode

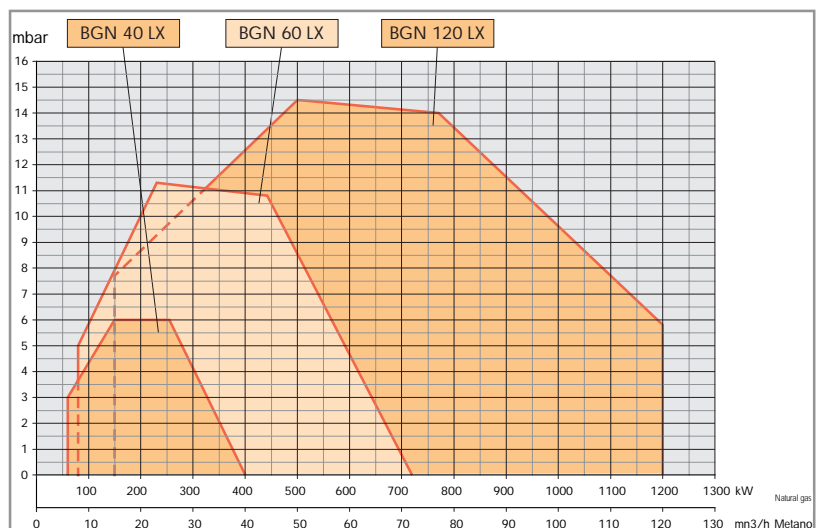
Complete the burner with the automatic RWF40 regulator and the modulation kit

### Gas burner accessories

Boiler coupling kit

### Notes

- 4) Equipped with automatic device for air closing.  
 5) Valve tightness control not required by EN676.  
 CTV) Gas train with Valve Tightness Control.  
 \*\*) Maximum gas pressure at pressure regulator in CE version, at gas train for EXP version.  
 Net calorific value of natural gas:  $H_i = 35.80 \text{ MJ/m}^3 = 8550 \text{ kcal/m}^3$ , at reference conditions of  $0^\circ\text{C}$ , 1013 mbar.



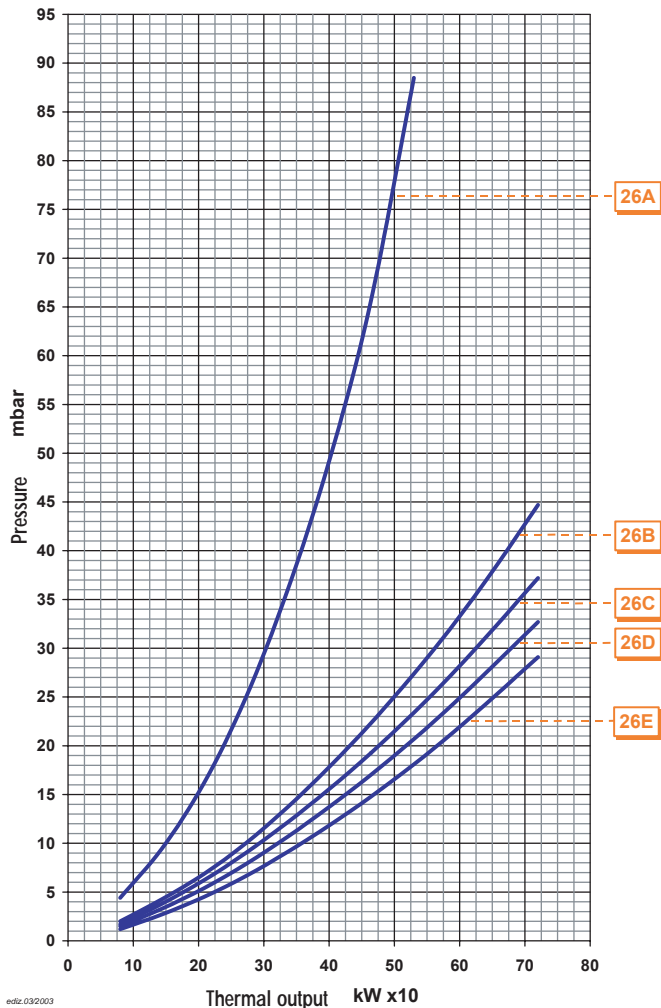
**BURNER/GAS TRAIN MATCH - CE gas train version complies with EN676, EXP gas train version is for extra-European markets**

Burner model	Gas type	Version	Curve on graph	Execution	P.Max** mbar	Gas train		Regulator with incorporated filter		Burner/gas train adapter		Valve tightness control kit		Pic.	Notes	
						Part no.		Part no.		Part no.		Part no.				
BGN 60LX BGN 60LX V	NATURAL GAS	CE / EXP				100	19990440	Included		96000014		—		D3		
						360	19990447	Included		96000014		—		D3		
						CTV	100	19990440	Included		96000014		98000101	D3	5)	
						CTV	360	19990447	Included		96000014		98000101	D3	5)	
						26B	100	19990441	Included		96000032		—	D3		
							360	19990448	Included		96000032		—	D3		
							CTV	100	19990441	Included		96000032		98000101	D3	5)
							CTV	360	19990448	Included		96000032		98000101	D3	5)
						26C	100	19990442	Included		96000007		—	D3		
							CTV	100	19990442	Included		96000007		98000101	D3	5)
						26D	100	19990443	Included		—		—	D3		
							CTV	100	19990443	Included		—		98000101	D3	5)
						26E	100	19990444	Included		—		—	D3		
							CTV	100	19990444	Included		—		98000101	D3	5)

Please see last page for Gas Train Calculations' Example

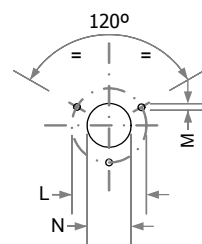
Head loss (combustion head + gas train + pressure regulator)

**BGN 60LX Natural gas  
CE / EXP**

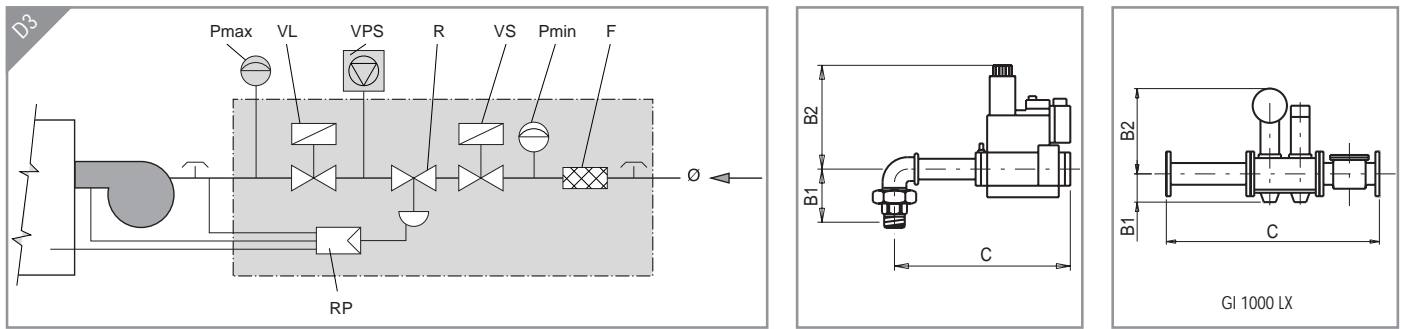


Flange Mounting Dimensions

L	M	N
290	M12	225



PICTURE D3



Gas train part no.	Position								Gas train dimensions			Size of packaging mm L x P x H	Weight kg	
	F	Pmax	Pmin	R	RP	VL	VPS	VS	Ø	B1	B2			C
19990440 (MB... 407)	●		●	●	●	●		●	3/4"	72	160	354	400 x 300 x 280	6
19990441 (MB... 412)	●		●	●	●	●		●	1 1/4"	95	175	500	520 x 410 x 460	9
19990442 (MB... 415)	●		●	●	●	●	▲	●	1 1/2"	103	185	643	650 x 500 x 380	12
19990443 (MB... 420)	●		●	●	●	●	▲	●	2"	114	225	711	990 x 300 x 500	13
19990444 (MB... 425)	●		●	●	●	●	▲	●	2"	114	291	951	990 x 300 x 500	19
19990445 (DMV... 5080)	●		●	●	●	●	▲	●	DN80	210	304	1430	1380 x 430 x 710	70
19990446 (DMV... 5100)	●		●	●	●	●	●	●	DN100	242	375	1750	1380 x 430 x 710	85
19990447 (MB... 407)	●		●	●	●	●		●	3/4"	72	160	354	400 x 300 x 280	6
19990448 (MB... 412)	●		●	●	●	●		●	1 1/4"	95	175	500	520 x 410 x 460	9
19990449 (MB... 415)	●		●	●	●	●	●	●	1 1/2"	103	185	643	650 x 500 x 380	12
19990450 (MB... 420)	●		●	●	●	●	●	●	2"	114	225	711	990 x 300 x 500	13
19990451 (MB... 425)	●		●	●	●	●	●	●	2"	114	291	951	990 x 300 x 500	19
19990452 (DMV... 5080)	●		●	●	●	●	●	●	DN80	210	304	1430	1380 x 430 x 710	70
19990453 (DMV... 5100)	●		●	●	●	●	●	●	DN100	242	375	1750	1380 x 430 x 710	85
19990468 (VGD40.065)	●	●	●	●	●	●	●	●	DN65	118	380	1020	1380 x 430 x 710	30
19990469 (VGD40.080)	●	●	●	●	●	●	●	●	DN80	132	387	1150	1380 x 430 x 710	39
19990470 (VGD40.100)	●	●	●	●	●	●	●	●	DN100	145	397	1350	1380 x 430 x 710	50

● - As standard; ▲ - As standard for burners with an output of more than 1200 kW.

## Legend

CTV - Valve tightness control	Pmin - Minimum pressure switch	RP - Pneumatic regulator	VPS - VPS valve tightness control
F - Filter	R - Pressure regulator	VF - Regulator throttle valve	VS - Safety valve
LDU - LDU valve tightness control	RF - Pressure regulator with filter	VL - Operating valve	VSP - Safety pilot valve
Pct - Pressure switch for gas control	RFP - Pressure regulator with filter for pilot gas train	VL2 - Two-stage operating valve	Ø - Gas train diameter
Pmax - Maximum pressure switch	RM - Manual flow rate regulator	VLP - Operating pilot valve	Ø1 - Main gas train diameter
Pmc - Minimum and control pressure switch gas leaks		VP - Pilot valve	Ø2 - Pilot gas train diameter



By inserting the RWF40 kit and the modulating kit into the two progressive stage burners, these are transformed into modulating burners, that is, with the capacity to provide thermal power which can be varied continuously in accordance with the specific needs of the boiler. Naturally, the thermal power level varies only within the "minimum" and "maximum" limits applying to the burner.

### Selecting modulation kit components

With reference to parameter: temperature (°C) or pressure (bar), select the regulation range corresponding to the operating value of the boiler. When the value falls within two different setting ranges, select the lower of the two.

#### Example:

If the temperature of the water in the boiler is to be 100°C, choose the modulation kit corresponding to range 0 - 130°C. If the pressure of the steam in the boiler is to be 8 bar, select the modulation kit in the regulation range 0 - 10 bar.

RWF 40 electronic regulator for all modulating burners, used to regulate temperature or pressure.

### Automatic proportional modulation regulator

Part no.	Model
98000051	Kit RWF 40
98000052	Kit RWF 40 for BGS 30 LX



### Temperature modulation kit

Part no.	Temperature	Type probe	Probe length	Male coupling
98000020	0 °C - 130 °C	NI 1000	100 1)	R 1/2"
98000021	0 °C - 500 °C	PT 1000	200 1)	G 1/2"
98000022	0 °C - 1100 °C	Thermocouple	425 1)	R 1/2"



### Steam pressure modulation kit

Part no.	Steam pressure	Male coupling
98000025	0 - 1 bar	G 1/2"
98000026	0 - 10 bar	G 1/2"
98000027	0 - 16 bar	G 1/2"
98000028	0 - 25 bar	G 1/2"
98000029	0 - 40 bar	G 1/2"

### Notes

For different modulation values please contact our Technical Assistance Service.  
1) Different lengths on request.

Using the specific diagrams, it is possible to select the gas train that is most suitable for the burner.

First of all it is necessary to identify:

- Burner's heat input  $Q_i$  [kW], to be identified along the x-coordinate.
- Gas pressure available at the regulator  $P_g$  [mbar], to be identified along the y-coordinate.

The available gas pressure is determined by the formula:  $P_g = P_a - P_c$

where:

- $P_a$  = gas pressure provided by the mains supply;
- $P_c$  = the pressure in the boiler combustion chamber.

The intersection point of the two lines defines the operational parameters of the gas train.

The gas train characterised by the first curve underneath the intersection point must be chosen.

### EXAMPLE

- Burner = BGN 200
  - $Q_i = 1700$  kW
  - $P_a = 44.5$  mbar
  - $P_c = 2.5$  mbar
  - $P_g = 44.5 - 2.5 = 42$  mbar
- Choose the indicated curve 20C.

The red segment of the curve indicates that the neutral-coloured spring of the regulator must be replaced with the red one (supplied).

To identify the codes for the gas train, pressure regulator and adapter to be ordered refer to the BURNER/TRAIN MATCH-UP TABLE relative to burner BGN200 and CURVE REFERENCE 20C.

### Note:

In the graphs the head loss curves have different colours.

The mono-colour BLUE curve represents a gas train with a monoblock valve. The mono-colour ORANGE curve represents a gas train with a mono-valve or with separate valves without pressure regulator; this execution does not comply with EN676 regulation.

The multi-colour curve represents a gas train with separate valves and pressure regulator (this version complies with EN676 regulation). The coloured segments identify the colour of the spring with which the regulator should be used under those specific flow rate/pressure conditions. The pressure regulator is supplied with different-coloured springs (green, red and violet): these are used to replace the one already installed (neutral colour) at the time of installation if necessary.

