



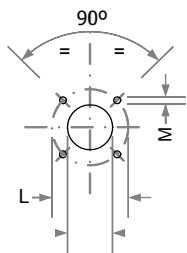
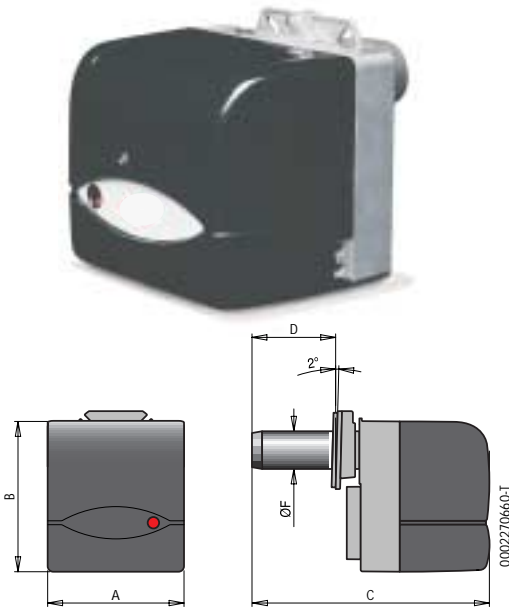
TECHNICAL AND FUNCTIONAL CHARACTERISTICS

- Low NOx and CO emissions light oil burner compliant with European standard EN267 "Classe III".
- Single stage operation (on/off).
- Suitable for working in combustion chambers different than reverse flame.
- High pressure mechanical atomisation of fuel using nozzle.
- Burnt gas recycling blast-pipe able to achieve very low pollutant emissions, particularly with regard to nitrous oxides (NOx).
- Maintenance facilitated by the fact that the atomisation unit can be removed without having to remove the burner from the boiler.
- Manual air flow adjustment.
- Equipped with one 7 pole connector, one flange and one insulating seal for boiler fastening, 2 flexible hoses, one line filter and one nozzle.

CONSTRUCTION CHARACTERISTICS

The burner consists of:

- Light aluminium alloy fan part.
- High performance centrifugal fan.
- Combustion air inlet with device to adjust the air flow; automatically closing air gate.
- Sliding boiler coupling flange to adapt the head protrusion to the various types of boilers.
- Adjustable blast-pipe with stainless steel nozzle and deflector disk in steel.
- Monophase electric motor to run fan and pump.
- Gear pump with pressure regulator and fuel stop-cock valve.
- Variable output fuel preheater (only RINOX 35).
- Automatic control and command equipment for the burner compliant with European standard EN230.
- Flame detection by photoresistance.
- 7 pole outlet for burner electrical and thermostat connections.
- Electrical protection rating IP40.
- Sound-proof plastic protective cover.



Flange Mounting Dimensions

L		M	N
min	max		
160	155	M8	95

Conforms to:
 E.M.C. Directive 89/336/CEE
 L.V. Directive 73/23/CEE
 Reference standard: EN267

Thermal output kW	Model	Part no.	Max visc. °E at 20°C	Electrical supply	Motor kW	A mm	B mm	C mm	D mm	F mm	Size of packaging L x P x H mm	Weight kg	Notes
38 - 74	RiNOx 60	35510050	1.5	1N AC 50Hz 230V	0.11	245	270	455	50 - 150	90	540 x 300 x 320	12	1)

Frequency 50 Hz

Light oil burner accessories

Line filter - Flex hoses - Nozzle - Boiler coupling kit - 7 pin plug

Notes

- 1) Equipped with air closure device.
 - 2) Equipped with light oil pre-heater with drop-stop device.
- Net calorific value of light oil: Hi = 42.70 MJ/kg = 10200 kcal/kg.

