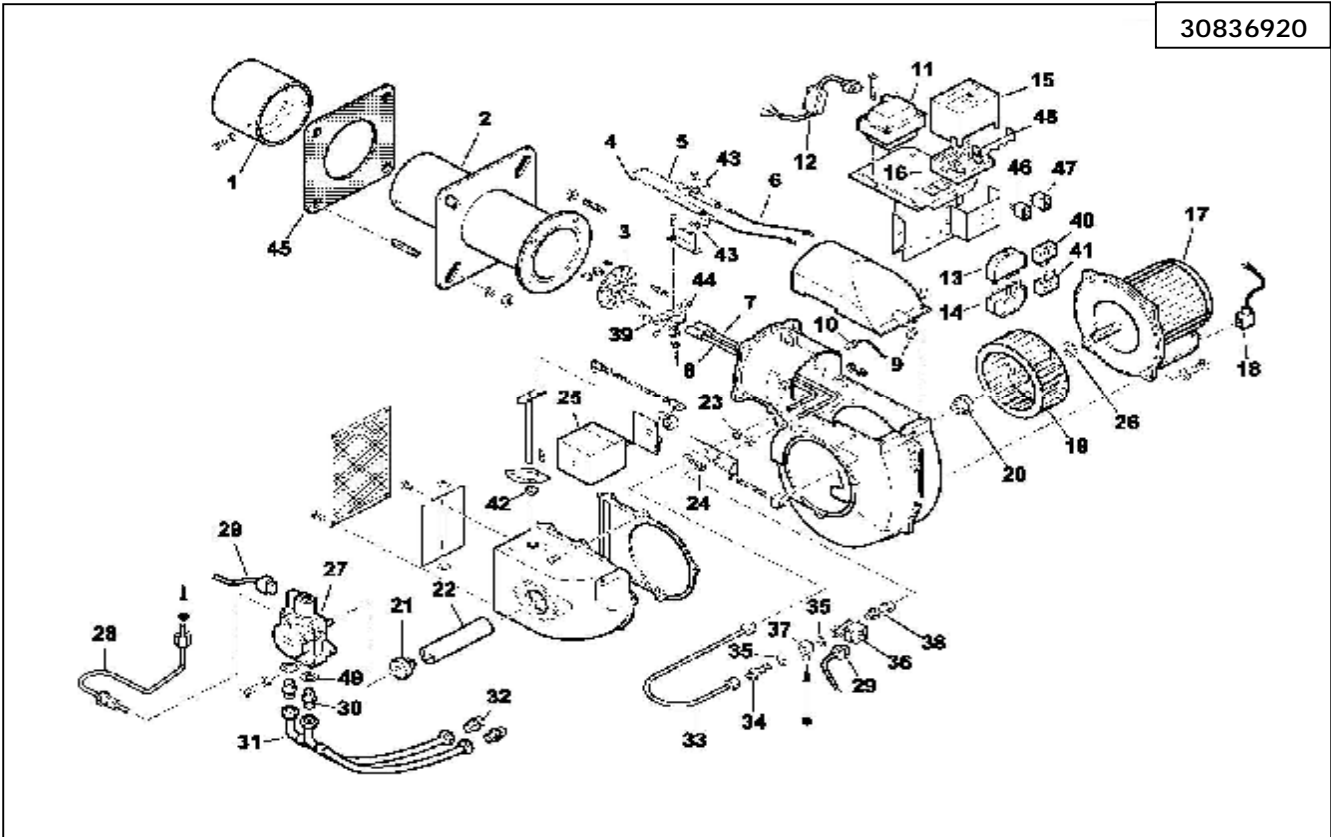


30836920



Key	Part No	Description
1	B07-54091	End Cone
2	B07-0020010145	Burner Tube
3	B07-54085	Brake Plate
4	B07-49369	Left Electrode
5	B07-49368	Right Electrode
6	B07-0005140114	HT Cable
7	B07-0020010148	Nozzle Line 1 st Stage
8	B07-0020010150	Nozzle Line 2 nd Stage
9	B07-0020020030	Sight Glass
10	L01-QRB1B-A048B70B	Photocell QRB1B
11	B07-0005020029	Transformer
12	B07-0005140303	Transformer Lead
13	X01-0044	7 Pin Wieland Plug
14	X01-0001	7 Pin Wieland Socket
15	L01-LOA24.171B27	Control Box
16	L01-AGK11	Wiring Base
17	M02-1-250-30	Motor
	B07-95080	Capacitor
18	B07-0005130096	Motor Lead
19	B07-49351	Fan
20	B07-3187	Coupling
21	B07-3199	Coupling
22	B07-0020010021	Coupling Connector
23	B07-4314	Nut
24	B07-0006020143	Nut

Key	Part No	Description
26	B07-28718	Spacer
27	S02-AS47A-7432	Pump
28	B07-0020010074	Oil Pipe
29	B07-31185	Coil Lead
30	F01-1/4M-1/4C	Nipple
31	F01-1000-A-1/4F-1/4F	Flexible Oil Line
32	F01-1/4M-1/4C	Nipple
33	B07-0020010075	Oil Tube
34	B07-14124	Nipple
35	B07-146	Washer
36	B07-31008	Solenoid Valve
	B07-95247	Valve Coil
37	B07-14123	T Connector
38	B07-29972	Union Fitting
39	B07-49375	Spacer
40	X01-0004	4 Pin Wieland Plug
41	X01-0045	4 Pin Wieland Socket
42	B07-0019010010	Bush
43	B07-27017	Support
44	B07-14168	Support
45	B07-49319	Gasket
46	B07-0005120082	1 Stage Switch
47	B07-0005120081	On/Off Switch
48	B07-0005030012	Cable Entry Plate