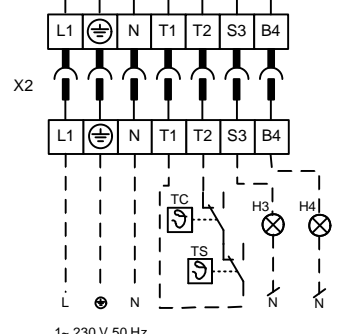
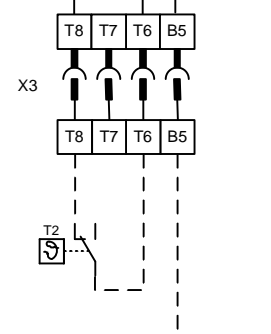


KEY TO DIAGRAM

X1	-	TERMINAL RAIL
X2	-	7 POLE CONNECTOR
X3	-	4 POLE CONNECTOR
S1	-	ON/OFF SWITCH
S8	-	1st/2nd STAGE SWITCH
H3	-	LOCK-OUT SIGNAL LIGHT
H1	-	OPERATION LIGHT
H2	-	LOCKOUT LIGHT
H4	-	1st STAGE LIGHT
TA	-	IGNITION TRANSFORMER
B1	-	PHOTOCELL
M	-	MOTOR
TS	-	SAFETY THERMOSTAT
TC	-	CONTROL THERMOSTAT
T2	-	2nd STAGE THERMOSTAT
F1	-	MOTOR OVERLOAD
K1	-	MOTOR CONTACTOR
K2	-	PHOTOCELL RELAY
V1	-	STAGE 1 OIL VALVE
V2	-	STAGE 2 OIL VALVE
VS	-	SAFETY VALVE



1- 230 V 50 Hz



1- 230 V 50 Hz
 CONTINUOUS LIVE SUPPLY
 FOR FAN MOTOR