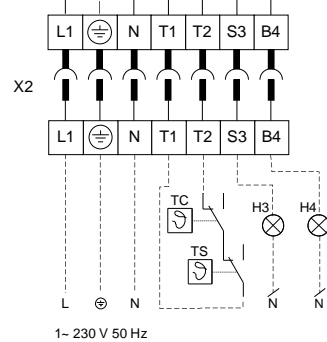
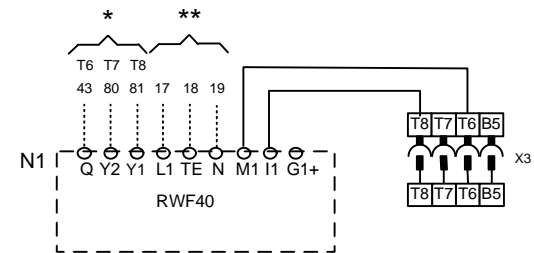


3 – 400 V 50 Hz



1 – 230 V 50 Hz



KEY TO DIAGRAM

- X1 - TERMINAL RAIL
- X2 - 7 POLE CONNECTOR
- X3 - 4 POLE CONNECTOR
- S1 - ON/OFF SWITCH
- S2 - LOCKOUT RE-SET BUTTON
- S4 - MIN MAX SWITCH
- S5 - AUTO / MANUAL SWITCH
- H3 - LOCK-OUT SIGNAL LIGHT
- H1 - OPERATION LIGHT
- H2 - LOCKOUT LIGHT
- TA - IGNITION TRANSFORMER
- B1 - PHOTOCELL
- M - MOTOR
- TS - SAFETY THERMOSTAT
- TC - CONTROL THERMOSTAT
- T2 - 2nd STAGE THERMOSTAT
- F1 - RELAY
- K1 - CONTACTOR
- N1 - RWF 40
- YM - ELECTROMAGNET
- Y10 - SQM 10
- U1 - RECTIFIER BRIDGE