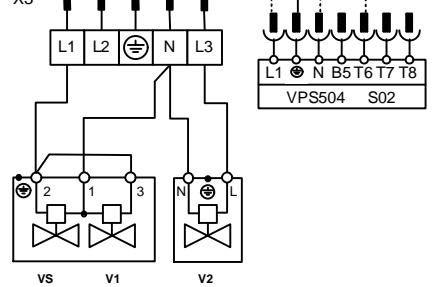


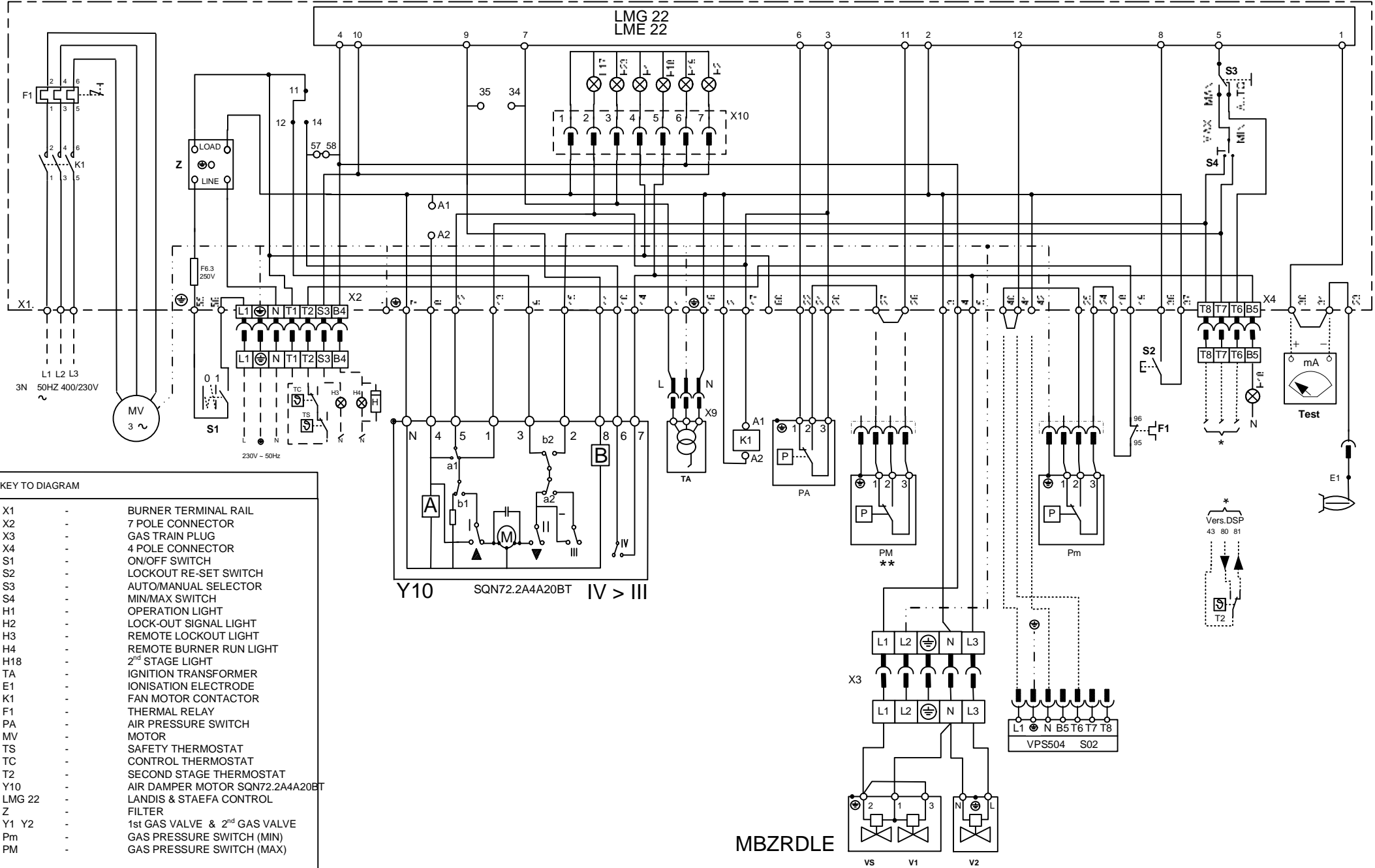
KEY TO DIAGRAM

X1	-	BURNER TERMINAL RAIL
X2	-	7 POLE CONNECTOR
X3	-	GAS TRAIN PLUG
X4	-	4 POLE CONNECTOR
S1	-	ON/OFF SWITCH
S2	-	LOCKOUT RE-SET SWITCH
S3	-	AUTO/MANUAL SELECTOR
S4	-	MIN/MAX SWITCH
H1	-	OPERATION LIGHT
H2	-	LOCK-OUT SIGNAL LIGHT
H3	-	REMOTE LOCKOUT LIGHT
H4	-	REMOTE BURNER RUN LIGHT
H18	-	2 nd STAGE LIGHT
TA	-	IGNITION TRANSFORMER
E1	-	IONISATION ELECTRODE
K1	-	FAN MOTOR CONTACTOR
F1	-	THERMAL RELAY
PA	-	AIR PRESSURE SWITCH
MV	-	MOTOR
TS	-	SAFETY THERMOSTAT
TC	-	CONTROL THERMOSTAT
T2	-	SECOND STAGE THERMOSTAT
Y10	-	AIR DAMPER MOTOR SQN72.2A4A20BT
LMG 22	-	LANDIS & STAFA CONTROL
Z	-	FILTER
Y1 Y2	-	1st GAS VALVE & 2 nd GAS VALVE
Pm	-	GAS PRESSURE SWITCH (MIN)
PM	-	GAS PRESSURE SWITCH (MAX)

* Vers.DSP
 43 80 81

MBZRDLE



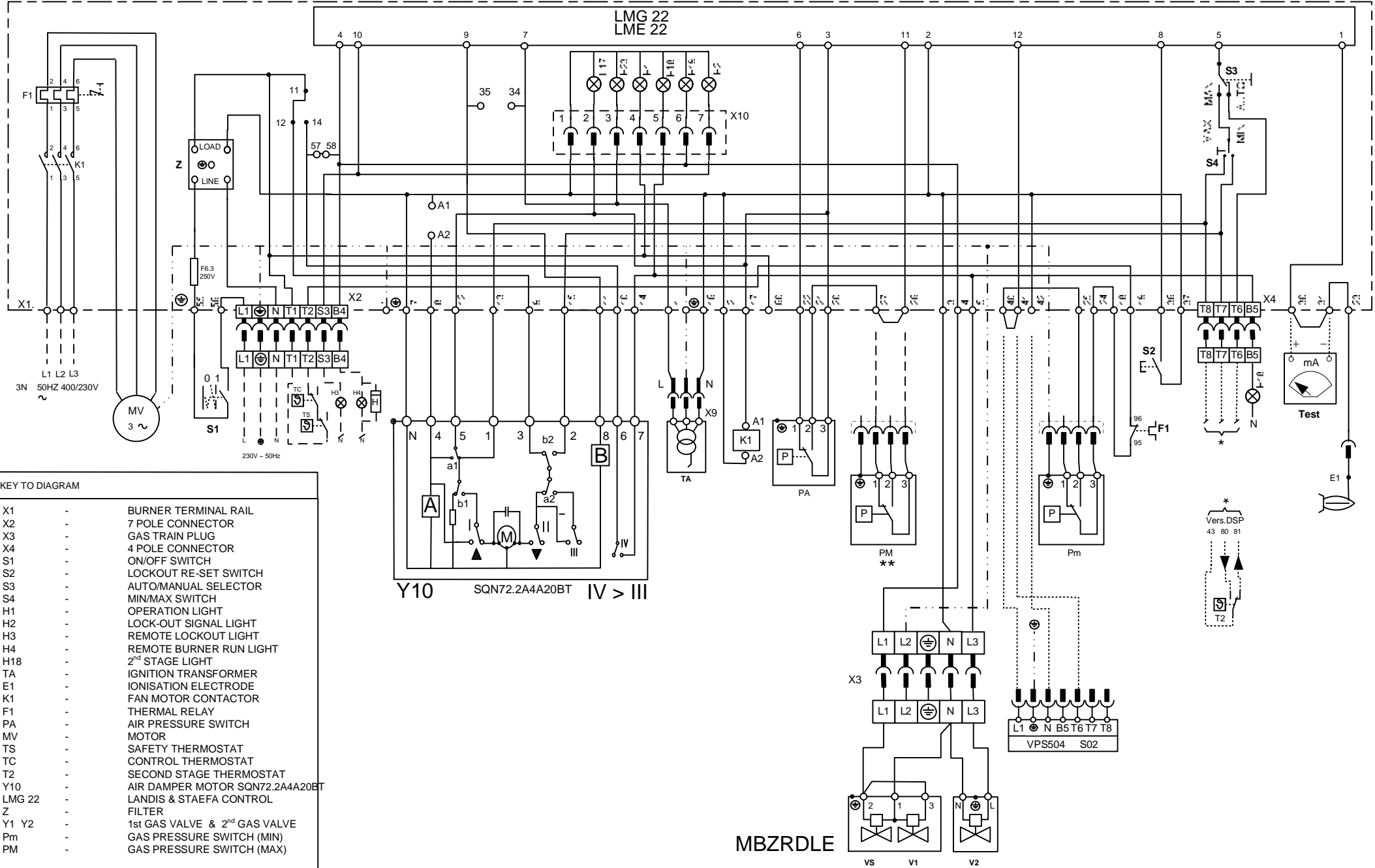


KEY TO DIAGRAM

X1	-	BURNER TERMINAL RAIL
X2	-	7 POLE CONNECTOR
X3	-	GAS TRAIN PLUG
X4	-	4 POLE CONNECTOR
S1	-	ON/OFF SWITCH
S2	-	LOCKOUT RE-SET SWITCH
S3	-	AUTO/MANUAL SELECTOR
S4	-	MIN/MAX SWITCH
H1	-	OPERATION LIGHT
H2	-	LOCK-OUT SIGNAL LIGHT
H3	-	REMOTE LOCKOUT LIGHT
H4	-	REMOTE BURNER RUN LIGHT
H18	-	2 nd STAGE LIGHT
TA	-	IGNITION TRANSFORMER
E1	-	IONISATION ELECTRODE
K1	-	FAN MOTOR CONTACTOR
F1	-	THERMAL RELAY
PA	-	AIR PRESSURE SWITCH
MV	-	MOTOR
TS	-	SAFETY THERMOSTAT
TC	-	CONTROL THERMOSTAT
T2	-	SECOND STAGE THERMOSTAT
Y10	-	AIR DAMPER MOTOR SQN72.2A4A20BT
LMG 22	-	LANDIS & STAFA CONTROL
Z	-	FILTER
Y1 Y2	-	1 st GAS VALVE & 2 nd GAS VALVE
Pm	-	GAS PRESSURE SWITCH (MIN)
PM	-	GAS PRESSURE SWITCH (MAX)

* Vers.DSP
 43 80 81

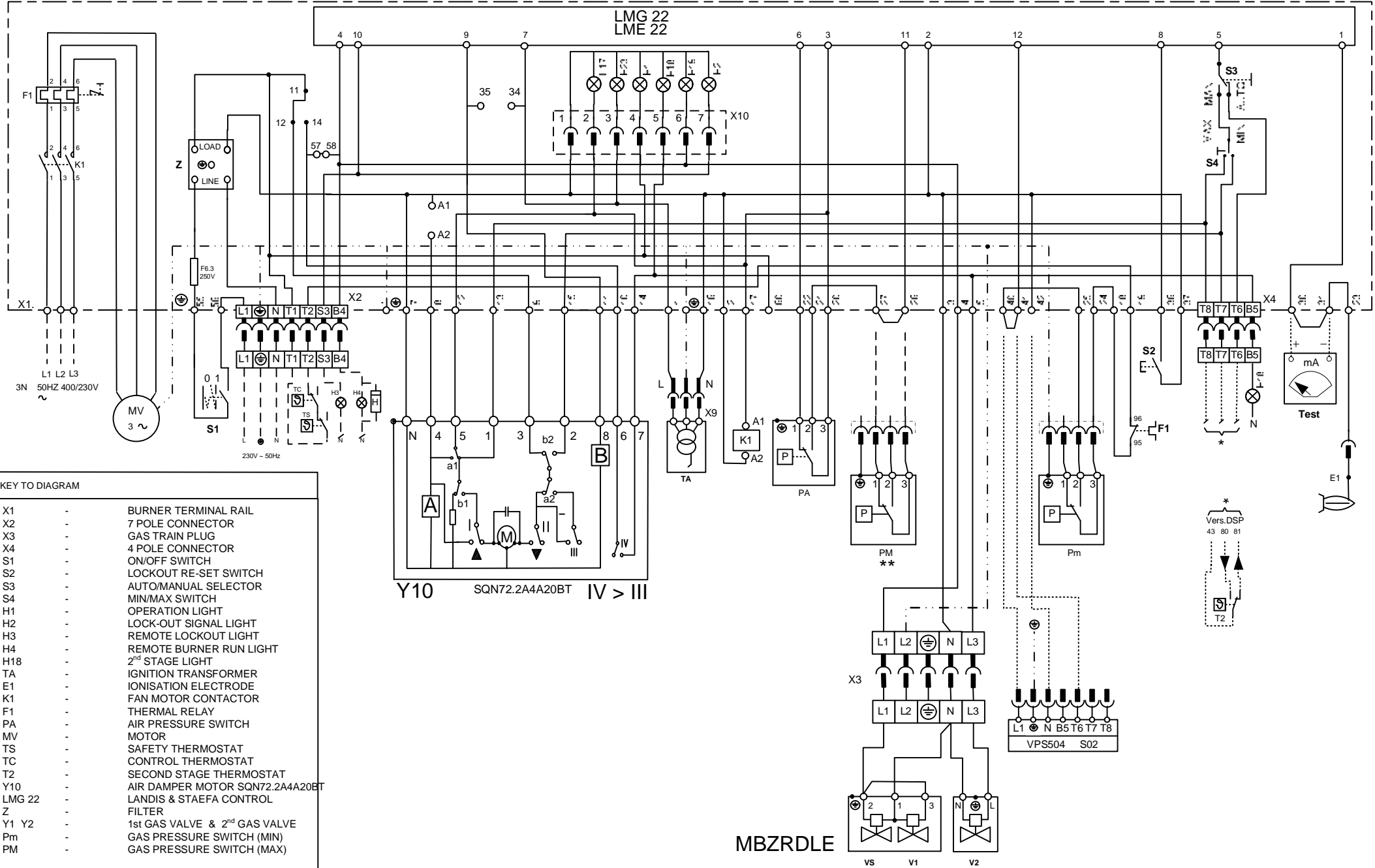
MBZRDLE



KEY TO DIAGRAM

X1	-	BURNER TERMINAL RAIL
X2	-	7 POLE CONNECTOR
X3	-	GAS TRAIN PLUG
X4	-	4 POLE CONNECTOR
S1	-	ON/OFF SWITCH
S2	-	LOCKOUT RE-SET SWITCH
S3	-	AUTO/MANUAL SELECTOR
S4	-	MIN/MAX SWITCH
H1	-	OPERATION LIGHT
H2	-	LOCK-OUT SIGNAL LIGHT
H3	-	REMOTE LOCKOUT LIGHT
H4	-	REMOTE BURNER RUN LIGHT
H18	-	2 nd STAGE LIGHT
TA	-	IGNITION TRANSFORMER
E1	-	IONISATION ELECTRODE
K1	-	FAN MOTOR CONTACTOR
F1	-	THERMAL RELAY
PA	-	AIR PRESSURE SWITCH
MV	-	MOTOR
TS	-	SAFETY THERMOSTAT
TC	-	CONTROL THERMOSTAT
T2	-	SECOND STAGE THERMOSTAT
Y10	-	AIR DAMPER MOTOR SQN72.2A4A20BT
LMG 22	-	LANDIS & STAFA CONTROL
Z	-	FILTER
Y1 Y2	-	1st GAS VALVE & 2 nd GAS VALVE
Pm	-	GAS PRESSURE SWITCH (MIN)
PM	-	GAS PRESSURE SWITCH (MAX)

* Vers. DSP
 43 80 81



KEY TO DIAGRAM

X1	-	BURNER TERMINAL RAIL
X2	-	7 POLE CONNECTOR
X3	-	GAS TRAIN PLUG
X4	-	4 POLE CONNECTOR
S1	-	ON/OFF SWITCH
S2	-	LOCKOUT RE-SET SWITCH
S3	-	AUTO/MANUAL SELECTOR
S4	-	MIN/MAX SWITCH
H1	-	OPERATION LIGHT
H2	-	LOCK-OUT SIGNAL LIGHT
H3	-	REMOTE LOCKOUT LIGHT
H4	-	REMOTE BURNER RUN LIGHT
H18	-	2 nd STAGE LIGHT
TA	-	IGNITION TRANSFORMER
E1	-	IONISATION ELECTRODE
K1	-	FAN MOTOR CONTACTOR
F1	-	THERMAL RELAY
PA	-	AIR PRESSURE SWITCH
MV	-	MOTOR
TS	-	SAFETY THERMOSTAT
TC	-	CONTROL THERMOSTAT
T2	-	SECOND STAGE THERMOSTAT
Y10	-	AIR DAMPER MOTOR SQN72.2A4A20BT
LMG 22	-	LANDIS & STAFA CONTROL
Z	-	FILTER
Y1 Y2	-	1st GAS VALVE & 2 nd GAS VALVE
Pm	-	GAS PRESSURE SWITCH (MIN)
PM	-	GAS PRESSURE SWITCH (MAX)

* Vers.DSP
 43 80 81

MBZRDLE

