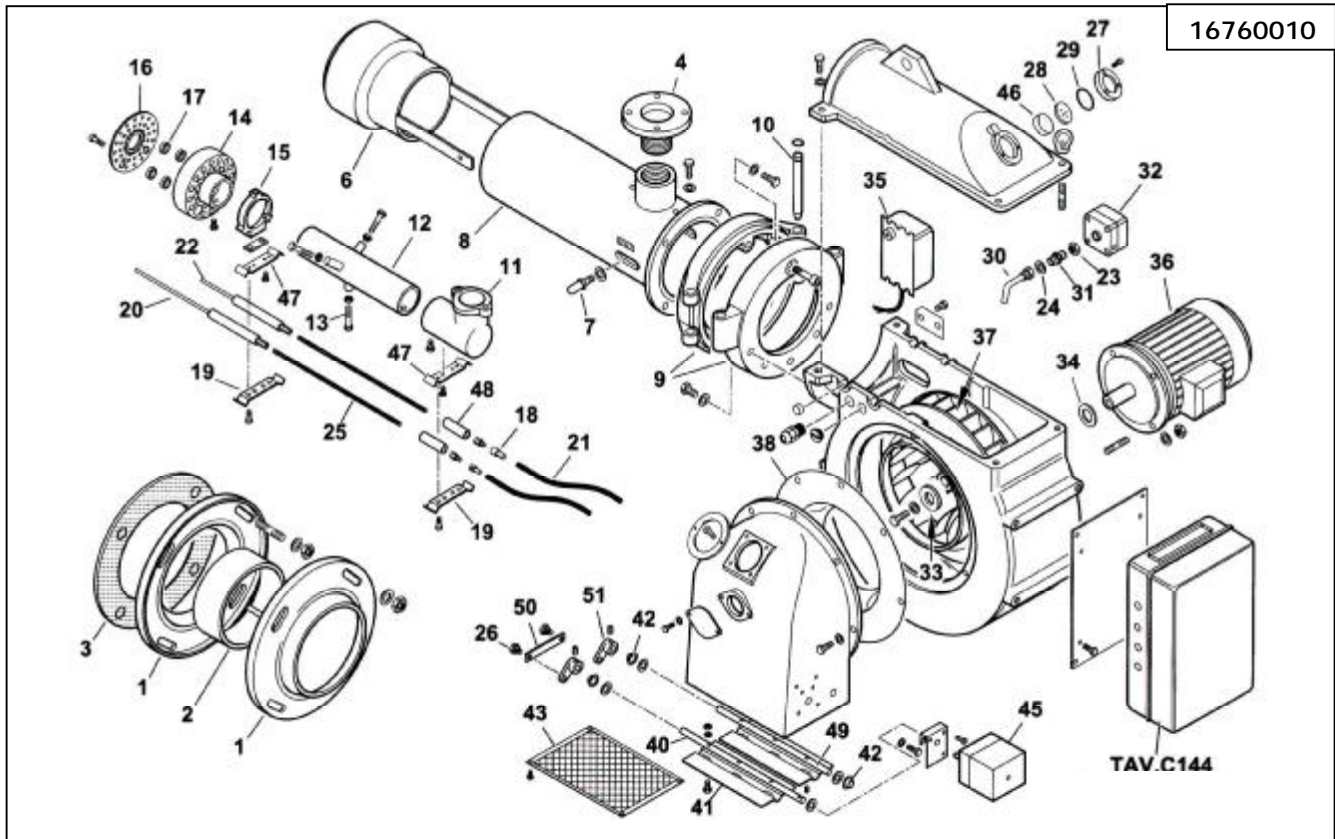


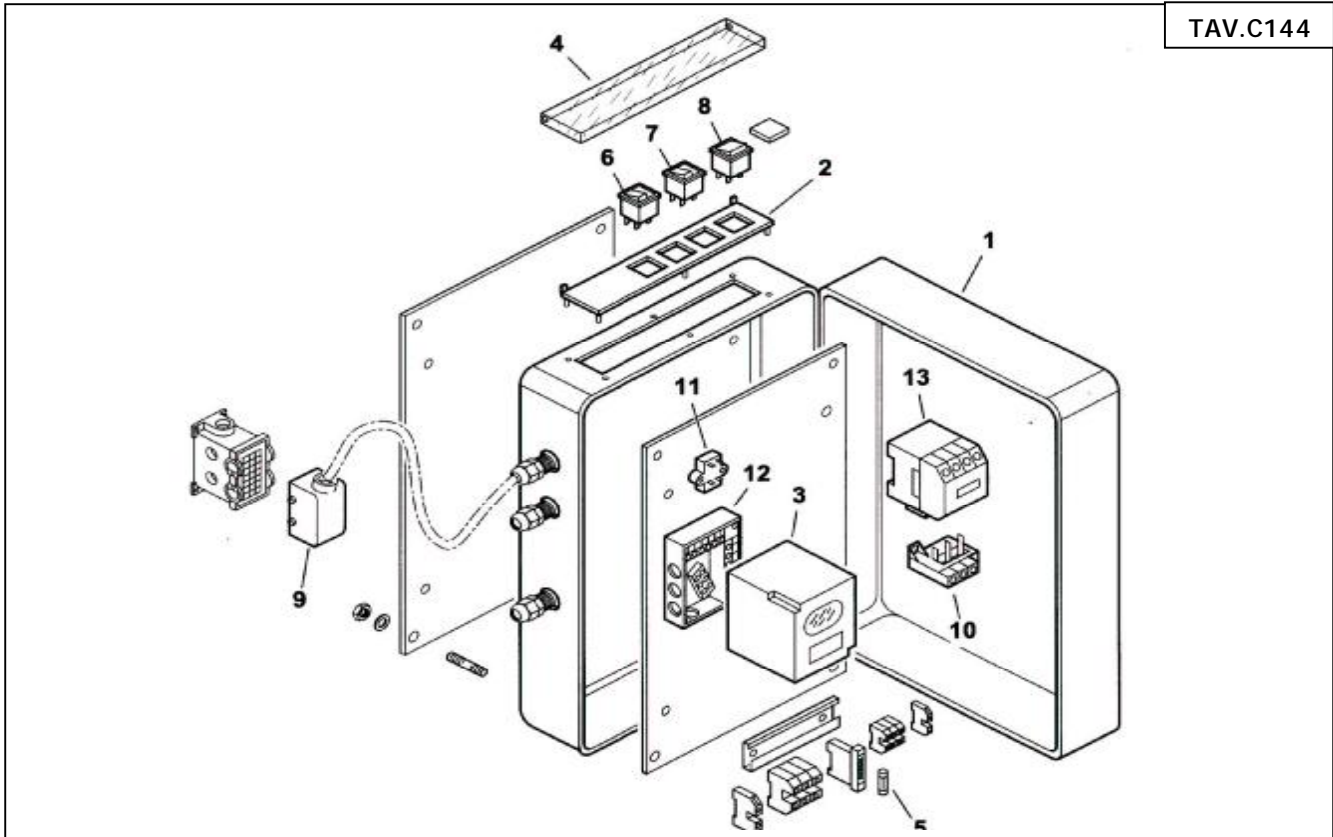
# BGN 250 – 2 Stage



| Key | Part No        | Description          | Key | Part No        | Description        |
|-----|----------------|----------------------|-----|----------------|--------------------|
| 1   | B07-29184      | Flange               | 27  | B07-38611      | Sight Glass Holder |
| 2   | B07-29186      | Flange Collar        | 28  | B07-38609      | Clear Sight Glass  |
| 3   | B07-29185      | Gasket for Flange    | 29  | B07-23299      | O-Ring             |
| 4   | B07-39184      | Gas Entry Flange     | 30  | B07-0015010113 | Air Tube           |
| 6   | B07-57130      | End Cone             | 31  | B07-28932      | Nipple             |
| 7   | B07-18476      | Fixing Nut           | 32  | B07-30245      | Pressure Switch    |
| 8   | B07-57172      | Burner Tube          | 33  | B07-17887      | Spacer             |
| 9   | B07-57271      | Hinge Assembly       | 34  | B07-29364      | Spacer             |
| 10  | B07-57173      | Hinge Pin            | 35  | B07-15995      | Transformer        |
| 11  | B07-57125      | Gas Elbow            | 36  | B07-30104      | Motor              |
| 12  | B07-0012010036 | Gas Tube             | 37  | B07-29361      | Fan                |
| 13  | B07-45119      | Screw                | 38  | B07-13028      | Air Guide          |
| 14  | B07-29358      | Gas Head             | 40  | B07-57102      | Air Damper Pin     |
| 15  | B07-37882      | Support Ring         | 41  | B07-57029      | Air Flap           |
| 16  | B07-29276      | Brake Plate          | 42  | B07-34314      | Bush               |
| 17  | B07-29277      | Spacer               | 43  | B07-0012010076 | Air Inlet Guard    |
| 18  | B07-0005060037 | Ignition Cable Cap   | 45  | B07-31380      | Air Damper Motor   |
| 19  | B07-57132      | Support              | 46  | B07-38610      | Sight Glass        |
| 20  | B07-57159      | Ionisation Electrode | 47  | B07-57131      | Bracket            |
| 21  | B07-30223      | HT Cable             | 48  | B07-19424      | Isolator           |
| 22  | B07-57158      | Electrode            | 49  | B07-57033      | Pin                |
| 23  | B07-35623      | Fixing Nut           | 50  | B07-29498      | Lever Bracket      |
| 24  | B07-4987       | Spacer               | 51  | B07-35677      | Lever              |
| 25  | B07-57160      | Extension            |     |                |                    |
| 26  | B07-35619      | Lever Screw          |     |                |                    |
|     |                |                      |     | TAV.C144       | Control Panel      |

# Control Panel - BGN 250 – 2 Stage

TAV.C144



| Key | Part No        | Description       | Key | Part No | Description |
|-----|----------------|-------------------|-----|---------|-------------|
| 1   | B07-57332      | Box               |     |         |             |
| 2   | B07-0006060006 | Switch Panel      |     |         |             |
| 3   | B07-0005030071 | Control Box       |     |         |             |
| 4   | B07-61228      | Cover             |     |         |             |
| 5   | B07-7456       | Fuse              |     |         |             |
| 6   | B07-0005120039 | On/Off Switch     |     |         |             |
| 7   | B07-0005120040 | Lock Out Light    |     |         |             |
| 8   | B07-0005120041 | Auto/Man Swtich   |     |         |             |
| 9   | B07-0005130044 | 10 Pole Connector |     |         |             |
| 10  | B07-0005110074 | Overload          |     |         |             |
| 11  | B07-0005020034 | Filter            |     |         |             |
| 12  | B07-23525      | Wiring Base       |     |         |             |
| 13  | B07-0005110056 | Contactor         |     |         |             |