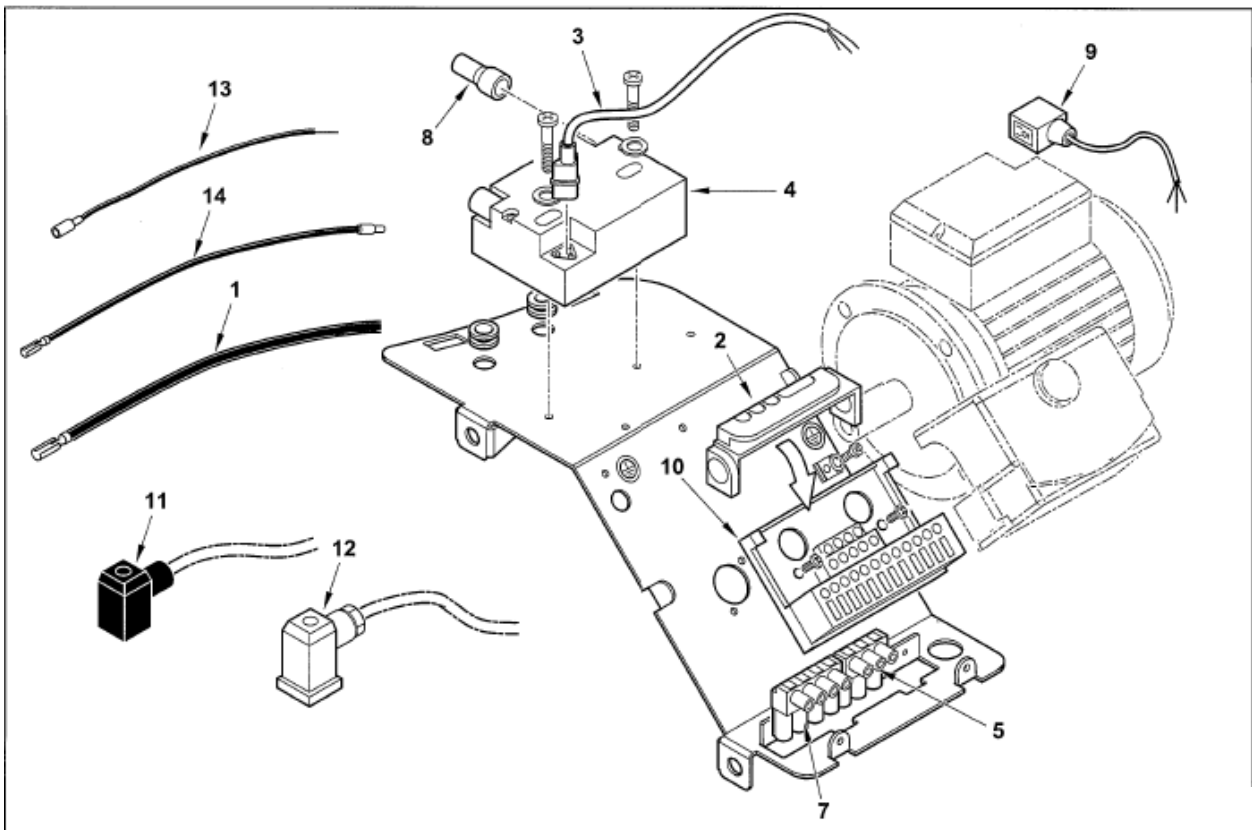


Key	Part Number	Description			
1	B07-0025030002	End cone	28	B07-00250300010	Gasket
2	B07-0025030003	Blast Tube	29	B07-0020020026	Adjustment plate
3	B07-0025030013	Gas intake Housing	30	B07-0020010015	Air damper pin
4	B07-0025030024	Fixing bolt M6 x 117	31	B07-0020010019	Air damper plate
5	B07-0020040001	Sealing Gasket	32	B07-0019010010	Air damper spacer
6	B07-0020020030	Sight Glass	33	B07-0020020031	Air damper grill
7	B07-61013	Fan	35	B07-0005040062	Air pressure switch
8	B07-0025010018	Controls Cover	36	B07-0025040028	Air pressure switch tube
9	B07-0006020143	Washer	40	B07-834451	Semi Flange
10	B07-28718	Fan Spacer	41	B07-34462	Burner Gasket
11	B07-0020040004	Test nipple	42	B07-61029	Rope Seal
12	B07-0005010059 B07-95079	Motor 500w 1ph 230/50v Capacitor	43	B07-17639	Burner Mounting Studs M12x63
13	B07-0025030025	Brake Plate	44	B07-0005030224	LME21.430C2BT Control Box
14	B07-0025030005	Brake Plate Nozzle Mixer	46	X01-0044	7 Pin Plug
15	B07-0025030006	Nozzle Sleeves	48	B07-0025030037	Plate
16	B07-0025030004	Gas Head Mixer			
17	B07-0025003008	Inner Gas Pipe - Straight			
18	B07-0025030035 B07-0025030014	Ionization probe			
19	B07-0025030034 B07-0025030026	Ignition Probe			
20	B07-0017030027	Securing Bracket			
21	B07-61299	Clamping Bracket			
22	B07-0005060037	Fully Shrouded Rajah clip			
23	B07-0025030009	Inner Gas Pipe - Angled			
24	B07-19729	Damper Plate Washer			
25	B07-0020040002	Sliding adjustment bar			
26	B07-0020020043	Adjustment Bracket screw			
27	B07-0005180082	Gas Pipe O-Ring			



Key	Part Number	Description	Key	Part number	Description
1	B07-0005020081	HT Lead	11	D05-210319	Hirschmann 4 way plug Black
2	B07-0005030012	Cable Entry Plate	12	D05-210318	Hirschmann 4 way plug Grey
3	B07-0005130111	Transformer Cable	13	B07-0005140313	Ion lead Part 1
4	B07-0005020069	Transformer	14	B07-0005140490	Ion Lead Part 2
5	B07-0005130018	3 pin socket			
7	B07-0005130019	4 pin socket			
8	B07-0005140115	Shroud			
9	B07-0005130096	Motor Cable			
10	L01-AGK11	Wiring base			